

# UD info Corp.

## Embedded Multimedia Card (eMMC 5.0 HS400) EMC-F3UD / EMC-A1UD Series Product DataSheet

© 2022 UD INFO Corp. All right reserved.

Specifications are subject to change without prior notice.

*UD info CORP.*

3F-4, No.8, Ln. 609, Sec. 5, Chongxin Rd., Sanchong Dist., New Taipei City 241, Taiwan (R.O.C.)

TEL: +886-2-7713-6050 FAX: +886-2-8511-3151

E-mail: [sales@UDinfo.com.tw](mailto:sales@UDinfo.com.tw)

<b>1.</b>	<b>Introduction .....</b>	<b>7</b>
<b>2.</b>	<b>Specification.....</b>	<b>8</b>
2.1.	System Performance .....	8
2.2.	Power Consumption.....	9
2.3.	Capacity according to partition .....	10
2.4.	User Density.....	10
<b>3.</b>	<b>eMMC Device and System .....</b>	<b>11</b>
3.1.	eMMC System Overview .....	11
3.2.	Memory Addressing.....	11
3.3.	eMMC Device Overview .....	12
3.3.1.	Clock (CLK) .....	12
3.3.2.	Data Strobe(DS).....	12
3.3.3.	Command (CMD) .....	12
3.3.4.	Input/Outputs (DAT0-DAT7) .....	12
3.4.	Bus Protocol.....	14
3.5.	Bus Speed Modes.....	14
3.5.1.	HS200 Bus Speed Mode .....	14
3.5.2.	HS200 System Block Diagram .....	15
3.5.3.	HS400 Bus Speed mode.....	15
3.5.4.	HS400 System Block Diagram .....	16
<b>4.</b>	<b>eMMC Functional Description .....</b>	<b>17</b>
4.1.	eMMC Overview.....	17
4.2.	Boot Operation Mode.....	17
4.3.	Device Identification Mode .....	17
4.4.	Interrupt Mode .....	17
4.5.	Data Transfer Mode .....	18
4.6.	Inactive Mode .....	18
4.7.	H/W Reset Operation .....	18

**UD info CORP. TEL: +886-2-7713-6050 FAX: +886-2-8511-3151**

3F-4, No.8, Ln. 609, Sec. 5, Chongxin Rd., Sanchong Dist., New Taipei City 241, Taiwan (R.O.C.)

4.8.	Noise Filtering Timing for H/W Reset .....	19
4.9.	Field Firmware Update (FFU) .....	20
4.10.	Power off Notification for sleep.....	21
<b>5.</b>	<b>Register Settings.....</b>	<b>23</b>
5.1.	OCR Register .....	23
5.2.	CID Register .....	23
5.3.	CSD Register.....	23
5.4.	Extended CSD Register .....	23
5.5.	RCA Register .....	24
5.6.	DSR Register.....	24
<b>6.</b>	<b>The eMMC Bus .....</b>	<b>25</b>
6.1.	Power-up .....	26
6.1.1.	eMMC power-up .....	26
6.1.2.	eMMC Power Cycling.....	27
6.2.	Bus Operating Conditions.....	28
6.2.1.	Power supply: eMMC.....	28
6.2.2.	eMMC Power Supply Voltage.....	29
6.2.3.	Bus Signal Line Load.....	30
6.2.4.	HS400 reference load.....	31
6.3.	Bus Signal Levels.....	32
6.3.1.	Open-drain Mode Bus Signal Level.....	32
6.3.2.	Push-pull mode bus signal level — eMMC .....	32
6.3.3.	Bus Operating Conditions for HS200 & HS400.....	33
6.3.4.	Device Output Driver Requirements for HS200 & HS400.....	33
6.4.	Bus Timing.....	34
6.4.1.	Device Interface Timings .....	34
6.5.	Bus Timing for DAT Signals During Dual Data Rate Operation .....	36
6.5.1.	Dual Data Rate Interface Timings.....	37
6.6.	Bus Timing Specification in HS200 Mode .....	37

**UD info CORP. TEL: +886-2-7713-6050 FAX: +886-2-8511-3151**

3F-4, No.8, Ln. 609, Sec. 5, Chongxin Rd., Sanchong Dist., New Taipei City 241, Taiwan (R.O.C.)

6.6.1.	HS200 Clock Timing .....	37
6.6.2.	HS200 Device Input Timing .....	38
6.6.3.	HS200 Device Output Timing.....	39
6.7.	Bus Timing Specification in HS400 mode .....	41
6.7.1.	HS400 Device Input Timing .....	41
6.7.2.	HS400 Device Output Timing.....	42
<b>7.</b>	<b>Package Connections .....</b>	<b>44</b>
7.1.	153 balls Package Mechanical (11.5 x 13.0 x 1.0mm) .....	44
7.2.	100 balls Package Mechanical (14.0 x 18.0 x 1.4mm) .....	46
<b>8.</b>	<b>Ball Assignment.....</b>	<b>48</b>
8.1.	153 balls .....	48
8.2.	100 balls .....	49
<b>9.</b>	<b>Temperature.....</b>	<b>50</b>
<b>10.</b>	<b>Part Number Decoder.....</b>	<b>50</b>

## Revision History

Revision	Draft Date	History	Author
1.0	2016/7/12	New release	Golden Lee
1.1	2016/7/18	Add pSLC data	Golden Lee
1.2	2016/8/26	Modify P/N decoder	Golden Lee
1.3	2017/11/29	Add 3D TLC support	Golden Lee
1.4	2018/5/29	Remove 3D TLC support	Golden Lee
1.5	2019/4/2	<ol style="list-style-type: none"> <li>1. Add 105°C product line support</li> <li>2. Modify User density &amp; Performance &amp; Power consumption</li> </ol>	Golden Lee
1.6	2022/4/28	Added WD 15nm MLC support on PN decoder	Golden Lee
1.7	2023/5/18	Added Samsung 14nm MLC support on PN decoder	Golden Lee

## Product Overview

- Packaged NAND flash memory with eMMC 5.0 interface
- Compliant with eMMC Specification Ver.4.4, 4.41,4.5,5.0
- Bus mode
  - High-speed eMMC protocol
  - Clock frequency: 0-200MHz.
  - Ten-wire bus (clock, 1 bit command, 8 bit data bus) and a hardware reset.
- Supports three different data bus widths: 1 bit(default), 4 bits, 8 bits
  - Data transfer rate: up to 52Mbyte/s (using 8 parallel data lines at 52 MHz)
  - Single data rate: up to 200Mbyte/s @ 200MHz
  - Dual data rate: up to 400Mbyte/s @ 200MHz
- Operating voltage range:
  - VCCQ = 1.8 V/3.3 V
  - VCC = 3.3 V
- Error free memory access
  - Internal error correction code (ECC) to protect data communication
  - Internal enhanced data management algorithm
  - Solid protection of sudden power failure safe-update operations for data content
- Security
  - Support secure bad block erase commands
  - Enhanced write Protection with permanent and partial protection options
- Quality
  - RoHS compliant
- Supports Field Firmware Update(FFU)
- Enhanced Device Life time
- Support Pre EOL information
- Optimal Size
- Supports Production State Awareness
- Supports Power Off Notification for Sleep
- Supports HS400
- Temperature range
  - Operation:
    - Automotive Grade2: -40C~105C
    - Automotive Grade3: -40C~85C
    - Industrial: -40C~85C
    - Standard: -25C~85C (only for BGA 100 balls)
  - Storage:
    - -40C~85C

**UD info CORP. TEL: +886-2-7713-6050 FAX: +886-2-8511-3151**

*3F-4, No.8, Ln. 609, Sec. 5, Chongxin Rd., Sanchong Dist., New Taipei City 241, Taiwan (R.O.C.)*

# 1. Introduction

UDinfo eMMC products follow the JEDEC eMMC 5.0 standard. It is an ideal universal storage solution for many electronic devices, including smart phones, tablets, PDAs, eBook readers, digital cameras, recorders, MP3, MP4 players, electronic learning products, digital TVs and set-top boxes. eMMC encloses the MLC NAND and eMMC controller inside as one JEDEC standard package, providing a standard interface to the host. The eMMC controller directly manages NAND flash, including ECC, wear-leveling, IOPS optimization and read sensing.

Table 1 – MLC Device Summary

Product Part Number	Package	NAND Density	Operation Voltage
EMC-F3UD004GB	FBGA153	4GB	$V_{CC} = 3.3V$ $V_{CCQ} = 1.8V / 3.3V$
EMC-A1UD004GB	BGA100		
EMC-F3UD008GB	FBGA153	8GB	
EMC-A1UD008GB	BGA100		
EMC-F3UD016GB	FBGA153	16GB	
EMC-A1UD016GB	BGA100		
EMC-F3UD032GB	FBGA153	32GB	
EMC-A1UD032GB	BGA100		
EMC-F3UD064GB	FBGA153	64GB	
EMC-A1UD064GB	BGA100		

Table 2 – pSLC Device Summary

Product Part Number	Package	NAND Density	Operation Voltage
EMC-F3UD002GB	FBGA153	4GB	$V_{CC} = 3.3V$ $V_{CCQ} = 1.8V / 3.3V$
EMC-A1UD002GB	BGA100		
EMC-F3UD004GB	FBGA153	8GB	
EMC-A1UD004GB	BGA100		
EMC-F3UD008GB	FBGA153	16GB	
EMC-A1UD008GB	BGA100		
EMC-F3UD016GB	FBGA153	32GB	
EMC-A1UD016GB	BGA100		
EMC-F3UD032GB	FBGA153	64GB	
EMC-A1UD032GB	BGA100		

**UD info CORP. TEL: +886-2-7713-6050 FAX: +886-2-8511-3151**

3F-4, No.8, Ln. 609, Sec. 5, Chongxin Rd., Sanchong Dist., New Taipei City 241, Taiwan (R.O.C.)

## 2. Specification



### 2.1. System Performance

Table 3 – MLC Read / Write Performance

Capacity	Typical Value	
	Read Sequential (MB/s)	Write Sequential (MB/s)
4GB	250	14
8GB	250	25
16GB	250	25
32GB	250	45
64GB	250	90

**Note 1:** Values given for an 8-bit bus width, running HS400 mode from UDinfo proprietary tool,  $V_{CC}=3.3V$ ,  $V_{CCQ}=1.8V$ .

**Note 2:** Performance numbers might be subject to changes without notice.

Table 4 – pSLC Read / Write Performance

Capacity	Typical Value	
	Read Sequential (MB/s)	Write Sequential (MB/s)
2GB	250	30
4GB	250	80
8GB	250	60
16GB	250	110
32GB	250	150

**Note 1:** Values given for an 8-bit bus width, running HS400 mode from UDinfo proprietary tool,  $V_{CC}=3.3V$ ,  $V_{CCQ}=1.8V$ .

**Note 2:** Performance numbers might be subject to changes without notice.

UD info CORP. TEL: +886-2-7713-6050 FAX: +886-2-8511-3151

3F-4, No.8, Ln. 609, Sec. 5, Chongxin Rd., Sanchong Dist., New Taipei City 241, Taiwan (R.O.C.)



## 2.2. Power Consumption

Table 5 – MLC Device Power Consumption

Capacity	Read (mA)		Write (mA)		Standby (mA)
	V <sub>CCQ</sub> (1.8V)	V <sub>CC</sub> (3.3V)	V <sub>CCQ</sub> (1.8V)	V <sub>CC</sub> (3.3V)	
4GB	160	50	90	30	0.12
8GB	160	50	100	40	0.16
16GB	170	50	100	50	0.2
32GB	180	50	100	70	0.2
64GB	200	50	100	90	0.22

**Note 1:** Values given for an 8-bit bus width, a clock frequency of 200MHz DDR mode, V<sub>CC</sub>= 3.3V±5%, V<sub>CCQ</sub>=1.8V±5%.  
**Note 2:** Standby current is measured at V<sub>CC</sub>=3.3V±5% , 8-bit bus width without clock frequency.  
**Note 3:** Current numbers might be subject to changes without notice.

Table 6 – pSLC Device Power Consumption

Capacity	Read (mA)		Write (mA)		Standby (mA)
	V <sub>CCQ</sub> (1.8V)	V <sub>CC</sub> (3.3V)	V <sub>CCQ</sub> (1.8V)	V <sub>CC</sub> (3.3V)	
2GB	160	50	90	30	0.12
4GB	160	50	100	40	0.16
8GB	170	50	100	50	0.2
16GB	180	50	100	70	0.2
32GB	200	50	100	90	0.22

**Note 1:** Values given for an 8-bit bus width, a clock frequency of 200MHz DDR mode, V<sub>CC</sub>= 3.3V±5%, V<sub>CCQ</sub>=1.8V±5%.  
**Note 2:** Standby current is measured at V<sub>CC</sub>=3.3V±5% , 8-bit bus width without clock frequency.  
**Note 3:** Current numbers might be subject to changes without notice.

### 2.3. Capacity according to partition

Table 7 – MLC Capacity according to partition

Capacity	Boot Partition 1	Boot Partition 2	RPMB
4GB	2048 KB	2048 KB	512 KB
8GB	4096 KB	4096 KB	4096 KB
16GB	4096 KB	4096 KB	4096 KB
32GB	4096 KB	4096 KB	4096 KB
64GB	4096 KB	4096 KB	4096 KB

Table 8 – pSLC Capacity according to partition

Capacity	Boot Partition 1	Boot Partition 2	RPMB
2GB	2048 KB	2048 KB	512 KB
4GB	4096 KB	4096 KB	4096 KB
8GB	4096 KB	4096 KB	4096 KB
16GB	4096 KB	4096 KB	4096 KB
32GB	4096 KB	4096 KB	4096 KB

### 2.4. User Density

Total user density depends on device type.

For example, 52MB in the SLC mode requires 104 MB in MLC.

This results in decreasing.

Capacity	User Density
2GB	1,954,217,984 Bytes
4GB	3,901,415,424 Bytes
8GB	7,802,871,808 Bytes
16GB	15,621,054,464 Bytes
32GB	31,257,411,584 Bytes
64GB	62,530,125,824 Bytes

**UD info CORP. TEL: +886-2-7713-6050 FAX: +886-2-8511-3151**

3F-4, No.8, Ln. 609, Sec. 5, Chongxin Rd., Sanchong Dist., New Taipei City 241, Taiwan (R.O.C.)

### 3. eMMC Device and System

#### 3.1. eMMC System Overview

The eMMC specification covers the behavior of the interface and the Device controller. As part of this specification the existence of a host controller and a memory storage array are implied but the operation of these pieces is not fully specified.

UDinfo NAND Device consists of a single chip MMC controller and NAND flash memory module. The micro- controller interfaces with a host system allowing data to be written to and read from the NAND flash memory module. The controller allows the host to be independent from details of erasing and programming the flash memory.

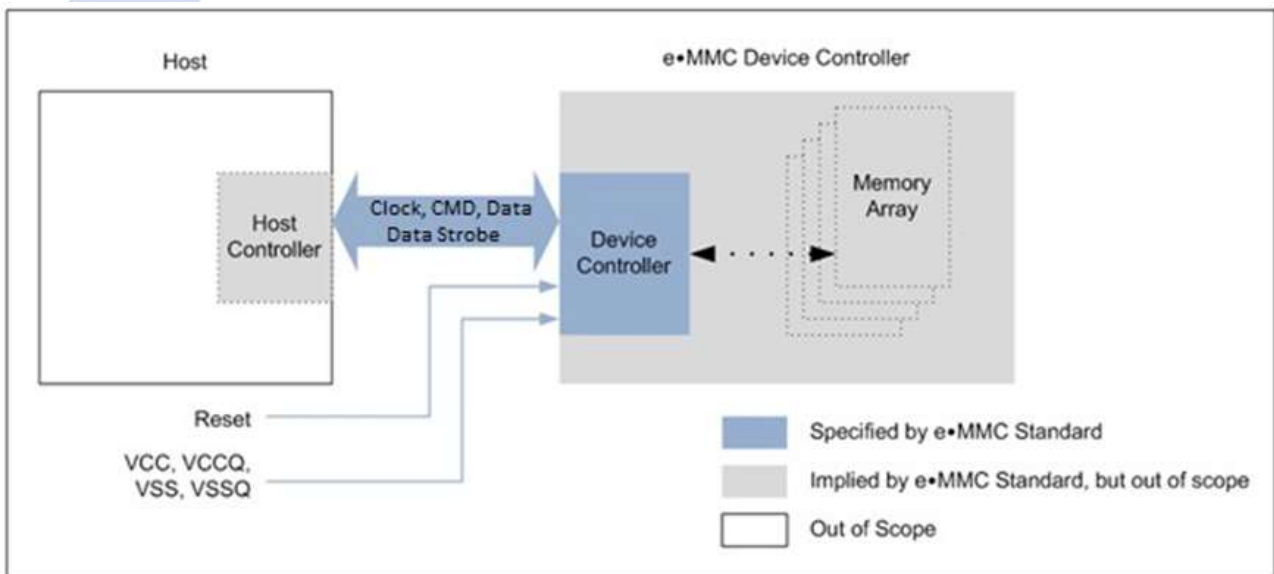


Figure 1 – eMMC System Overview

#### 3.2. Memory Addressing

Previous implementations of the eMMC specification are following byte addressing with 32 bit field. This addressing mechanism permitted for eMMC densities up to and including 2 GB. To support larger densities the addressing mechanism was update to support sector addresses (512 B sectors). The sector addresses shall be used for all devices with capacity larger than 2 GB. To determine the addressing mode use the host should read bit [30:29] in the OCR register.

**UD info CORP. TEL: +886-2-7713-6050 FAX: +886-2-8511-3151**

3F-4, No.8, Ln. 609, Sec. 5, Chongxin Rd., Sanchong Dist., New Taipei City 241, Taiwan (R.O.C.)

### 3.3. eMMC Device Overview

The eMMC device transfers data via a configurable number of data bus signals. The communication signals are:

#### 3.3.1. Clock (CLK)

Each cycle of this signal directs a one bit transfer on the command and either a one bit (1x) or a two bits transfer (2x) on all the data lines. The frequency may vary between zero and the maximum clock frequency.

#### 3.3.2. Data Strobe(DS)

This signal is generated by the device and used for output in HS400 mode. The frequency of this signal follows the frequency of CLK. For data output each cycle of this signal directs two bits transfer(2x) on the data - one bit for positive edge and the other bit for negative edge. For CRC status response output and CMD response output (enabled only HS400 enhanced strobe mode), the CRC status is latched on the positive edge only, and don't care on the negative edge.

#### 3.3.3. Command (CMD)

This signal is a bidirectional command channel used for Device initialization and transfer of commands. The CMD signal has two operation modes: open-drain for initialization mode, and push- pull for fast command transfer. Commands are sent from the eMMC host controller to the eMMC Device and responses are sent from the Device to the host.

#### 3.3.4. Input/Outputs (DAT0-DAT7)

These are bidirectional data channels. The DAT signals operate in push-pull mode. Only the Device or the host is driving these signals at a time. By default, after power up or reset, only DAT0 is used for data transfer. A wider data bus can be configured for data transfer, using either DAT0-DAT3 or DAT0- DAT7, by the eMMC host controller. The eMMC Device includes internal pull-ups for data lines DAT1- DAT7. Immediately after entering the 4-bit mode, the Device disconnects the internal pull ups of lines DAT1, DAT2, and DAT3. Correspondingly, immediately after entering to the 8-bit mode the Device disconnects the internal pull-ups of lines DAT1–DAT7.

Table 9 – Communication Interface

Name	Type <sup>1</sup>	Description
CLK	I	Clock
DAT0	I/O/PP	Data
DAT1	I/O/PP	Data
DAT2	I/O/PP	Data
DAT3	I/O/PP	Data
DAT4	I/O/PP	Data
DAT5	I/O/PP	Data
DAT6	I/O/PP	Data
DAT7	I/O/PP	Data
CMD	I/O/PP/OD	Command/Response
RST_n	I	Hardware reset
VCC	S	Supply voltage for core
VCCQ	S	Supply voltage for I/O
VSS	S	Supply voltage ground for core
VSSQ	S	Supply voltage ground for I/O
DS	O/PP	Data strobe

**Note1:** I: input; O: output; PP: push-pull; OD: open-drain; NC: Not connected (or logical high); S: power supply.

Table 10 – eMMC Registers

Name	Width (Bytes)	Description	Implementation
CID	16	Device Identification number, an individual number for identification.	Mandatory
RCA	2	Relative Device Address is the Device system address, dynamically assigned by the host during initialization.	Mandatory
DSR	2	Driver Stage Register, to configure the Device's output drivers.	Optional
CSD	16	Device Specific Data, information about the Device operation conditions.	Mandatory
OCR	4	Operation Conditions Register. Used by a special broadcast command to identify the voltage type of the	Mandatory

**UD info CORP. TEL: +886-2-7713-6050 FAX: +886-2-8511-3151**

3F-4, No.8, Ln. 609, Sec. 5, Chongxin Rd., Sanchong Dist., New Taipei City 241, Taiwan (R.O.C.)

		Device.	
EXT_CSD	512	Extended Device Specific Data. Contains information about the Device capabilities and selected modes. Introduced in standard v4.0.	Mandatory

The host may reset the device by:

- Switching the power supply off and back on. The device shall have its own power-on detection circuitry which puts the device into a defined state after the power-on Device.
- A reset signal
- By sending a special command

### 3.4. Bus Protocol

After a power-on reset, the host must initialize the device by a special message-based eMMC bus protocol. For more details, refer to section 5.3.1 of the JEDEC Standard Specification No.JESD84-B50.

### 3.5. Bus Speed Modes

eMMC defines several bus speed modes as shown in Table 6.

Table 11 – Bus Speed Mode

Mode Name	Data Rate	IO Voltage	Bus Width	Frequency	Max Data Transfer (implies x8 bus width)
Backwards Compatibility with legacy MMC card	Single	3.3/1.8V	1, 4, 8	0-26MHz	26MB/s
High Speed SDR	Single	3.3/1.8V	4, 8	0-52MHz	52MB/s
High Speed DDR	Dual	3.3/1.8V	4, 8	0-52MHz	104MB/s
HS200	Single	1.8V	4, 8	0-200MHz	200MB/s
HS400	Dual	1.8V	8	0-200MHz	400MB/s

#### 3.5.1. HS200 Bus Speed Mode

The HS200 mode offers the following features:

- SDR Data sampling method
- CLK frequency up to 200MHz Data rate – up to 200MB/s

**UD info CORP. TEL: +886-2-7713-6050 FAX: +886-2-8511-3151**

3F-4, No.8, Ln. 609, Sec. 5, Chongxin Rd., Sanchong Dist., New Taipei City 241, Taiwan (R.O.C.)

- 8-bits bus width supported
- Single ended signaling with 4 selectable Drive Strength
- Signaling levels of 1.8V
- Tuning concept for Read Operations

### 3.5.2. HS200 System Block Diagram

錯誤! 找不到參照來源。 shows a typical HS200 Host and Device system. The host has a clock generator, which supplies CLK to the Device. For write operations, clock and data direction are the same, write data can be transferred synchronous with CLK, regardless of transmission line delay. For read operations, clock and data direction are opposite; the read data received by Host is delayed by round-trip delay, output delay and latency of Host and Device. For reads, the Host needs to have an adjustable sampling point to reliably receive the incoming data

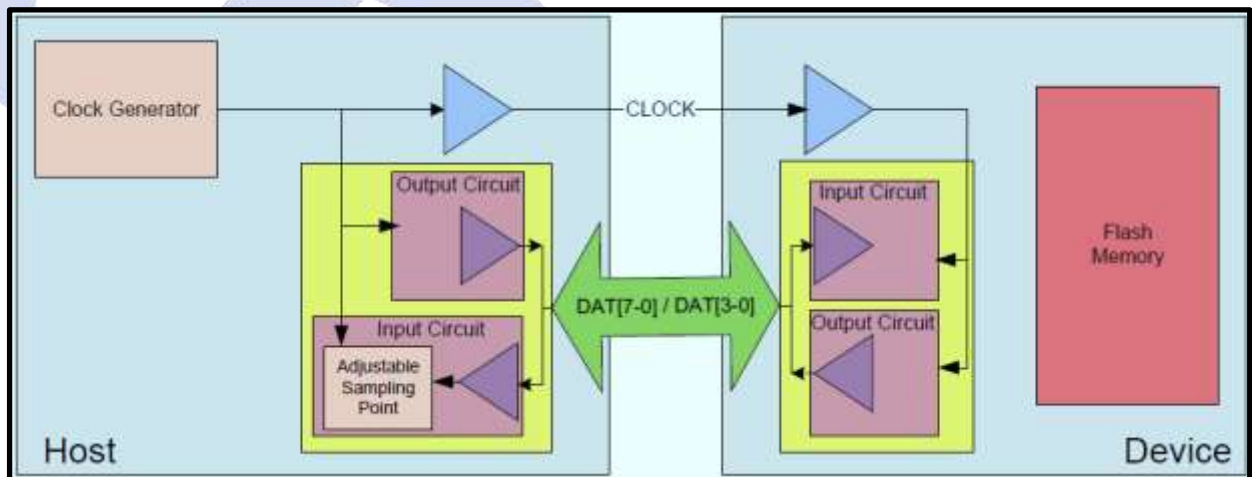


Figure 2 – System Block Diagram

### 3.5.3. HS400 Bus Speed mode

The HS400 mode has the following features

- DDR Data sampling method
- CLK frequency up to 200MHz, Data rate is – up to 400MB/s
- Only 8-bit bus width supported
- Signaling levels of 1.8V
- Support up to 5 selective Drive Strength
- Data strobe signal is toggled only for Data out and CRC response

UD info CORP. TEL: +886-2-7713-6050 FAX: +886-2-8511-3151

3F-4, No.8, Ln. 609, Sec. 5, Chongxin Rd., Sanchong Dist., New Taipei City 241, Taiwan (R.O.C.)

**3.5.4. HS400 System Block Diagram**

Figure 3 shows a typical HS400 Host and Device system. The host has a clock generator, which supplies CLK to the Device. For read operations, Data Strobe is generated by device output circuit. Host receives the data which is aligned to the edge of Data Strobe.

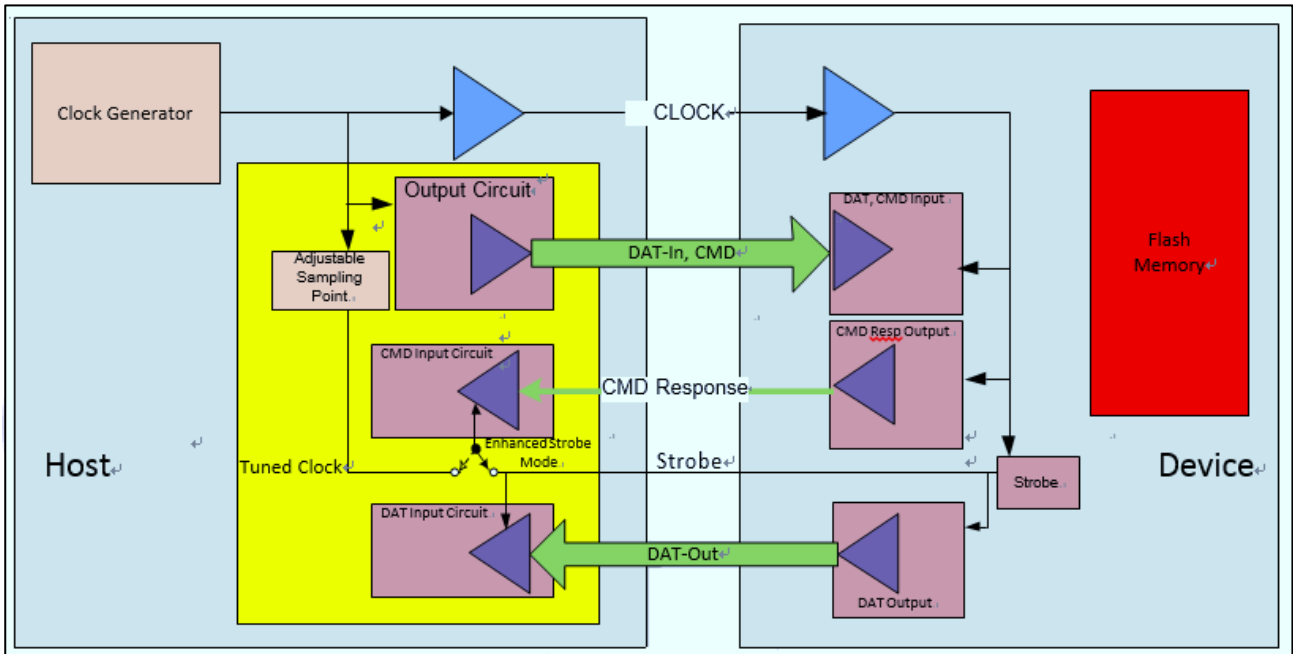


Figure 3 - HS400 Host and Device block diagram



## 4. *eMMC* Functional Description ■ ■ ■

### 4.1. *eMMC* Overview

All communication between host and device are controlled by the host (main chip). The host sends a command, which results in a device response. For more details, refer to section 6.1 of the JEDEC Standard Specification No.JESD84-B50.

Five operation modes are defined for the *eMMC* system:

- Boot operation mode
- Device identification mode
- Interrupt mode
- Data transfer mode
- Inactive mode

### 4.2. Boot Operation Mode

In boot operation mode, the master (*eMMC* host) can read boot data from the slave (*eMMC* device) by keeping CMD line low or sending CMD0 with argument + 0xFFFFFFFF, before issuing CMD1. The data can be read from either boot area or user area depending on register setting. For more details, refer to section 6.3 of the JEDEC Standard Specification No.JESD84-B50.

### 4.3. Device Identification Mode

While in device identification mode the host resets the device, validates operation voltage range and access mode, identifies the device and assigns a Relative device Address (RCA) to the device on the bus. All data communication in the Device Identification Mode uses the command line (CMD) only. For more details, refer to section 6.4 of the JEDEC Standard Specification No.JESD84-B50.

### 4.4. Interrupt Mode

The interrupt mode on the *eMMC* system enables the master (*eMMC* host) to grant the transmission allowance to the slaves (Device) simultaneously. This mode reduces the polling load for the host and hence, the power consumption of the system, while maintaining adequate responsiveness of the host to a Device request for service. Supporting *eMMC* interrupt mode is an option, both for the

**UD info CORP. TEL: +886-2-7713-6050 FAX: +886-2-8511-3151**

*3F-4, No.8, Ln. 609, Sec. 5, Chongxin Rd., Sanchong Dist., New Taipei City 241, Taiwan (R.O.C.)*

host and the Device. For more details, refer to section 6.5 of the JEDEC Standard Specification No.JESD84-B50.

### 4.5. Data Transfer Mode

When the Device is in *Stand-by State*, communication over the CMD and DAT lines will be performed in push-pull mode. For more details, refer to section 6.6 of the JEDEC Standard Specification No.JESD84-B50.

### 4.6. Inactive Mode

The device will enter inactive mode if either the device operating voltage range or access mode is not valid. The device can also enter inactive mode with GO\_INACTIVE\_STATE command (CMD15). The device will reset to *Pre-idle* state with power cycle. For more details, refer to section 6.1 of the JEDEC Standard Specification No.JESD84-B50.

### 4.7. H/W Reset Operation

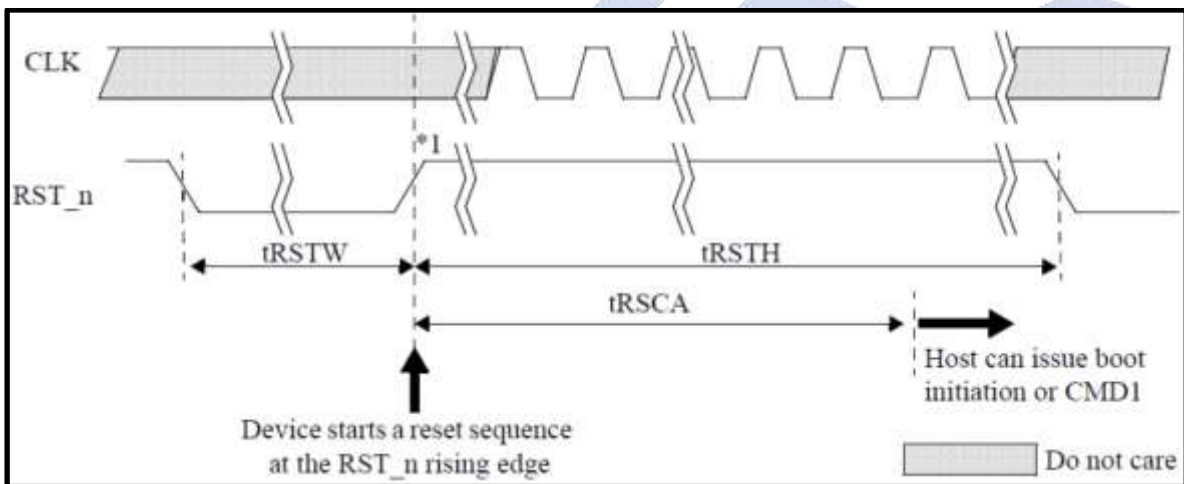


Figure 4 – H/W Reset Waveform

Note1: Device will detect the rising edge of RST\_n signal to trigger internal reset sequence

Table 12 – H/W Reset Timing Parameters

**UD info CORP. TEL: +886-2-7713-6050 FAX: +886-2-8511-3151**

3F-4, No.8, Ln. 609, Sec. 5, Chongxin Rd., Sanchong Dist., New Taipei City 241, Taiwan (R.O.C.)

Symbol	Comment	Min	Max	Unit
tRSTW	RST_n pulse width	1		[us]
tRSCA	RST_n to Command time	200 <sup>1</sup>		[us]
tRSTH	RST_n high period (interval time)	1		[us]

Note1 : 74 cycles of clock signal required before issuing CMD1 or CMD0 with argument 0xFFFFFFFFFA

### 4.8. Noise Filtering Timing for H/W Reset

Device must filter out 5ns or less pulse width for noise immunity

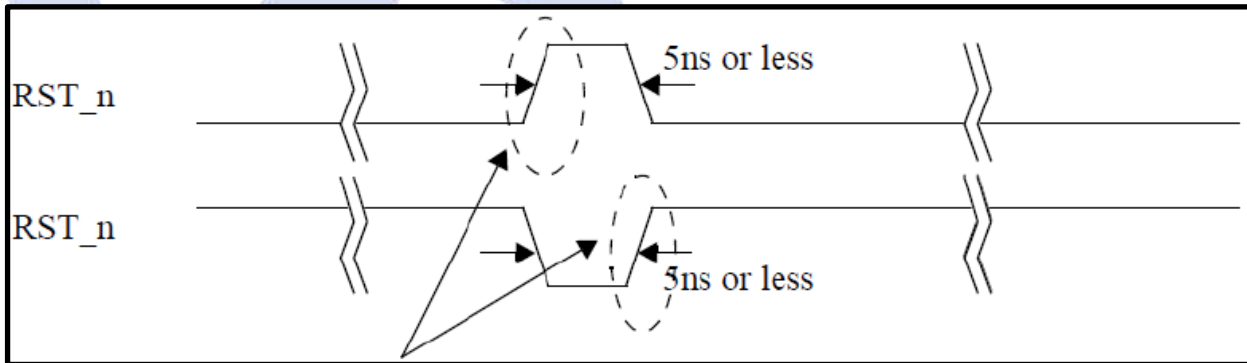


Figure 5 – Noise Filtering Timing for H/W Reset

Device must not detect these rising edge.

Device must not detect 5ns or less of positive or negative RST\_n pulse.

Device must detect more than or equal to 1us of positive or negative RST\_n pulse width.

## 4.9. Field Firmware Update (FFU)

Field Firmware Updates (FFU) enables features enhancement in the field. Using this mechanism the host downloads a new version of the firmware to the eMMC device and, following a successful download, instructs the eMMC device to install the new downloaded firmware into the device.

In order to start the FFU process the host first checks if the eMMC device supports FFU capabilities by reading SUPPORTED\_MODES and FW\_CONFIG fields in the EXT\_CSD. If the eMMC device supports the FFU feature the host may start the FFU process. The FFU process starts by switching to FFU Mode in MODE\_CONFIG field in the EXT\_CSD. In FFU Mode host should use closed-ended or open ended commands for downloading the new firmware and reading vendor proprietary data. In this mode, the host should set the argument of these commands to be as defined in FFU\_ARG field. In case these commands have a different argument the device behavior is not defined and the FFU process may fail. The host should set Block Length to be DATA\_SECTOR\_SIZE. Downloaded firmware bundle must be DATA\_SECTOR\_SIZE size aligned (internal padding of the bundle might be required). Once in FFU Mode the host may send the new firmware bundle to the device using one or more write commands.

The host could regain regular functionality of write and read commands by setting MODE\_CONFIG field in the EXT\_CSD back to Normal state. Switching out of FFU Mode may abort the firmware download operation. When host switched back to FFU Mode, the host should check the FFU Status to get indication about the number of sectors which were downloaded successfully by reading the NUMBER\_OF\_FW\_SECTORS\_CORRECTLY\_PROGRAMMED in the extended CSD. In case the number of sectors which were downloaded successfully is zero the host should re-start downloading the new firmware bundle from its first sector. In case the number of sectors which were downloaded successfully is positive the host should continue the download from the next sector, which would resume the firmware download operation.

In case MODE\_OPERATION\_CODES field is not supported by the device the host sets to NORMAL state and initiates a CMD0/HW\_Reset/Power cycle to install the new firmware. In such case the device doesn't need to use NUMBER\_OF\_FW\_SECTORS\_CORRECTLY\_PROGRAMMED. In both cases occurrence of a CMD0/HW\_Reset/Power occurred before the host successfully downloaded the new firmware bundle to the device may cause the firmware download process to be aborted.

**UD info CORP. TEL: +886-2-7713-6050 FAX: +886-2-8511-3151**

*3F-4, No.8, Ln. 609, Sec. 5, Chongxin Rd., Sanchong Dist., New Taipei City 241, Taiwan (R.O.C.)*

#### 4.10. Power off Notification for sleep

The host should notify the device before it powers the device off. This allows the device to better prepare itself for being powered off. Power the device off means to turn off all its power supplies. In particular, the host should issue a power off notification (POWER\_OFF\_LONG, POWER\_OFF\_SHORT ) if it intends to turn off both VCC and VCCQ power I or it may use to a power off notification (SLEEP\_NOTIFICATION ) if it intends to turn-off VCC after moving the device to Sleep state.

To indicate to the device that power off notification is supported by the host, a supporting host shall first set the POWER\_OFF\_NOTIFICATION byte in EXT\_CSD [34] to POWERED\_ON (0x01). To execute a power off, before powering the device down the host will changes the value to either POWER\_OFF\_SHORT (0x02) or POWER\_OFF\_LONG (0x03). Host should waits for the busy line to be de-asserted. Once the setting has changed to either 0x02 or 0x03, host may safely power off the device.

The host may issue SLEEP\_AWAKE (CMD5) to enter or to exit from Sleep state if POWER\_OFF\_NOTIFICATION byte is set to POWERED\_ON. Before moving to Standby state and then to Sleep state, the host sets POWER\_OFF\_NOTIFICATION to SLEEP\_NOTIFICATION and waits for the DAT0 line de-assertion. While in Sleep (slp) state VCC (Memory supply) may be turned off as defined in 4.1.6. Removing power supplies other than VCC while the device is in the Sleep (slp) state may result in undefined device behavior. Before removing all power supplies, the host should transition the device out of Sleep (slp) state back to Transfer state using CMD5 and CMD7 and then execute a power off notification setting POWER\_OFF\_NOTIFICATION byte to either POWER\_OFF\_SHORT or POWER\_OFF\_LONG.

If host continues to send commands to the device after switching to the power off setting (POWER\_OFF\_LONG, POWER\_OFF\_SHORT or SLEEP\_NOTIFICATION) or performs HPI during its busy condition, the device shall restore the POWER\_OFF\_NOTIFICATION byte to POWERED\_ON.

If host tries to change POWER\_OFF\_NOTIFICATION to 0x00 after writing another value there, a SWITCH\_ERROR is generated.

The difference between the two power-off modes is how urgent the host wants to turn power off. The device should respond to POWER\_OFF\_SHORT quickly under the generic CMD6 timeout. If more time is acceptable, POWER\_OFF\_LONG may be used and the device shall respond to it within the POWER\_OFF\_LONG\_TIME timeout.

While POWER\_OFF\_NOTIFICATION is set to POWERED\_ON, the device expects the host to host shall:

- Keep the device power supplies alive (both V<sub>CC</sub> and V<sub>CCQ</sub>) and in their active mode

**UD info CORP. TEL: +886-2-7713-6050 FAX: +886-2-8511-3151**

*3F-4, No.8, Ln. 609, Sec. 5, Chongxin Rd., Sanchong Dist., New Taipei City 241, Taiwan (R.O.C.)*

- Not power off the device intentionally before changing POWER\_OFF\_NOTIFICATION to either POWER\_OFF\_LONG or POWER\_OFF\_SHORT
- Not power off V<sub>CC</sub> intentionally before changing POWER\_OFF\_NOTIFICATION to SLEEP\_NOTIFICATION and before moving the device to Sleep state

Before moving to Sleep state hosts may set the POWER\_OFF\_NOTIFICATION byte to SLEEP\_NOTIFICATION (0x04) if aware that the device is capable of autonomously initiating background operations for possible performance improvements. Host should wait for the busy line to be de-asserted. Busy line may be asserted up the period defined in SLEEP\_NOTIFICATION\_TIME byte in EXT\_CSD [216]. Once the setting has changed to 0x04 host may set the device into Sleep mode (CMD7+CMD5). After getting out from Sleep the POWER\_OFF\_NOTIFICATION byte will restore its value to POWERED\_ON. HPI may interrupt the SLEEP\_NOTIFICATION operation. In that case POWER\_OFF\_NOTIFICATION byte will restore to POWERED\_ON.

**UD info CORP. TEL: +886-2-7713-6050 FAX: +886-2-8511-3151**

**3F-4, No.8, Ln. 609, Sec. 5, Chongxin Rd., Sanchong Dist., New Taipei City 241, Taiwan (R.O.C.)**

## 5. Register Settings

---

Within the Device interface six registers are defined: OCR, CID, CSD, EXT\_CSD, RCA and DSR. These can be accessed only by corresponding commands (see Section 6.10 of JESD84-B50).

### 5.1. OCR Register

The 32-bit operation conditions register (OCR) stores the VDD voltage profile of the Device and the access mode indication. In addition, this register includes a status information bit. This status bit is set if the Device power up procedure has been finished. The OCR register shall be implemented by all Devices.

### 5.2. CID Register

The Card Identification (CID) register is 128 bits wide. It contains the Device identification information used during the Device identification phase (*eMMC* protocol). For details, refer to JEDEC Standard Specification No.JESD84-B50

### 5.3. CSD Register

The Card-Specific Data (CSD) register provides information on how to access the contents stored in *eMMC*. The CSD registers are used to define the error correction type, maximum data access time, data transfer speed, data format...etc. For details, refer to section 7.3 of the JEDEC Standard Specification No.JESD84-B50.

### 5.4. Extended CSD Register

The Extended CSD register defines the Device properties and selected modes. It is 512 bytes long. The most significant 320 bytes are the Properties segment, which defines the Device capabilities and cannot be modified by the host. The lower 192 bytes are the Modes segment, which defines the configuration the Device is working in. These modes can be changed by the host by means of the SWITCH command. For details, refer to section 7.4 of the JEDEC Standard Specification No.JESD84-B50.

**UD info CORP. TEL: +886-2-7713-6050 FAX: +886-2-8511-3151**

*3F-4, No.8, Ln. 609, Sec. 5, Chongxin Rd., Sanchong Dist., New Taipei City 241, Taiwan (R.O.C.)*

## 5.5. RCA Register

The writable 16-bit Relative Device Address (RCA) register carries the Device address assigned by the host during the Device identification. This address is used for the addressed host-Device communication after the Device identification procedure. The default value of the RCA register is 0x0001. The value 0x0000 is reserved to set all Devices into the *Stand-by State* with CMD7. For detailed register setting value, please refer to UDinfo FAE.

## 5.6. DSR Register

The 16-bit driver stage register (DSR) is described in detail in Section 7.6 of the JEDEC Standard Specification No.JESD84-B50. It can be optionally used to improve the bus performance for extended operating conditions (depending on parameters like bus length, transfer rate or number of Devices). The CSD register carries the information about the DSR register usage. For detailed register setting value, please refer to UDinfo FAE.



## 6. The eMMC Bus

The eMMC bus has ten communication lines and three supply lines:

- CMD : Command is a bidirectional signal. The host and Device drivers are operating in two modes, open drain and push/pull.
- DAT0-7 : Data lines are bidirectional signals. Host and Device drivers are operating in push-pull mode
- CLK : Clock is a host to Device signal. CLK operates in push-pull mode
- Data Strobe: Data Strobe is a Device to host signal. Data Strobe operate sin push-pull mode.

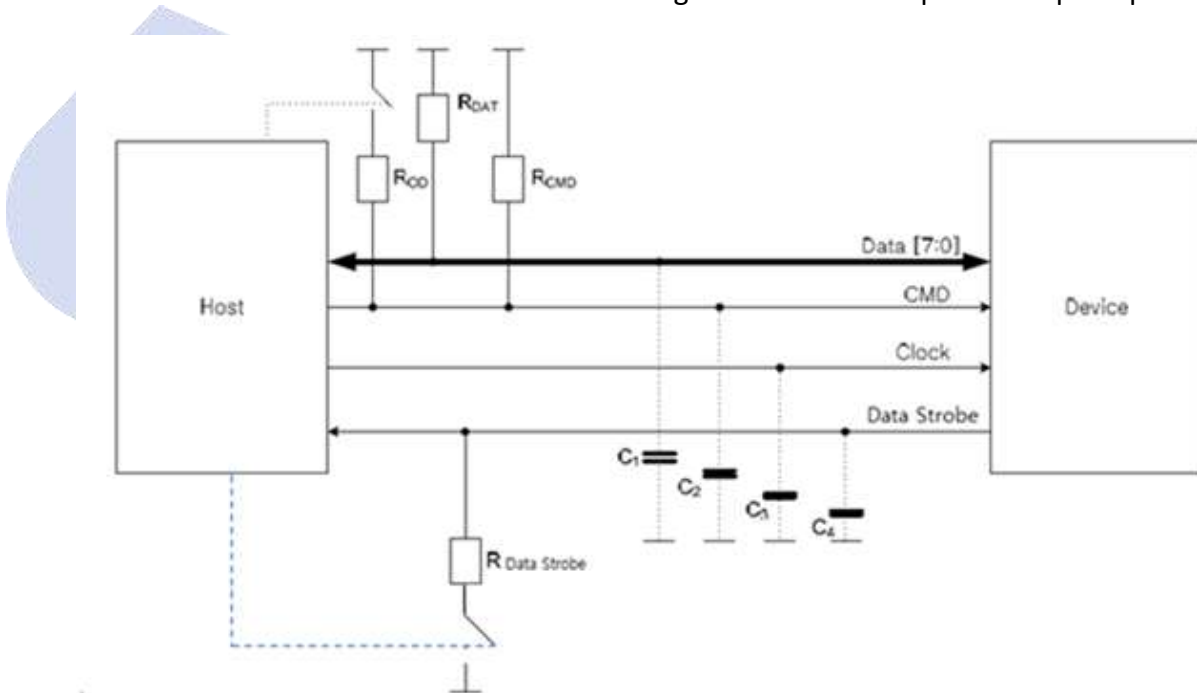


Figure 6 – Bus Circuitry Diagram

The  $R_{OD}$  is switched on and off by the host synchronously to the open-drain and push-pull mode transitions. The host does not have to have open drain drivers, but must recognize this mode to switch on the  $R_{OD}$ .  $R_{DAT}$  and  $R_{CMD}$  are pull-up resistors protecting the CMD and the DAT lines against bus floating device when all device drivers are in a high-impedance mode.

A constant current source can replace the  $R_{OD}$  by achieving a better performance (constant slopes for the signal rising and falling edges). If the host does not allow the switchable  $R_{OD}$  implementation, a fixed  $R_{CMD}$  can be used). Consequently the maximum operating frequency in the open drain mode has to be reduced if the used  $R_{CMD}$  value is higher than the minimal one given in.

$R_{Data\ strobe}$  is pull-down resistor used in HS400 device.

**UD info CORP. TEL: +886-2-7713-6050 FAX: +886-2-8511-3151**

3F-4, No.8, Ln. 609, Sec. 5, Chongxin Rd., Sanchong Dist., New Taipei City 241, Taiwan (R.O.C.)

## 6.1. Power-up

### 6.1.1. eMMC power-up

An eMMC bus power-up is handled locally in each device and in the bus master. Figure 7 shows the power-up sequence and is followed by specific instructions regarding the power-up sequence. Refer to section 10.1 of the JEDEC Standard Specification No. JESD84-B50 for specific instructions regarding the power-up sequence.

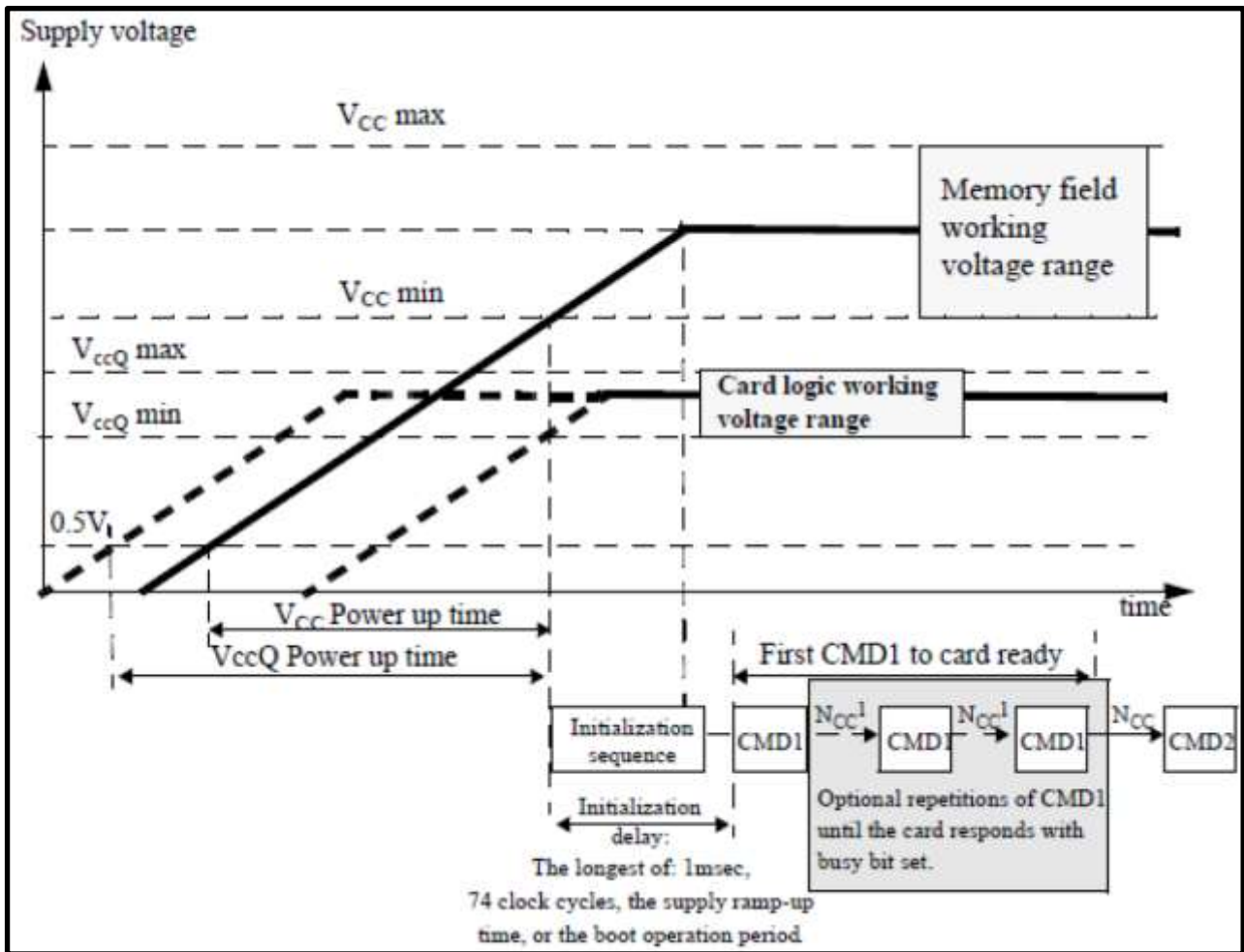


Figure 7 – eMMC Power-up Diagram

UD info CORP. TEL: +886-2-7713-6050 FAX: +886-2-8511-3151

3F-4, No.8, Ln. 609, Sec. 5, Chongxin Rd., Sanchong Dist., New Taipei City 241, Taiwan (R.O.C.)

**6.1.2. eMMC Power Cycling**

The master can execute any sequence of  $V_{CC}$  and  $V_{CCQ}$  power-up/power-down. However, the master must not issue any commands until  $V_{CC}$  and  $V_{CCQ}$  are stable within each operating voltage range. After the slave enters sleep mode, the master can power-down  $V_{CC}$  to reduce power consumption. It is necessary for the slave to be ramped up to  $V_{CC}$  before the host issues CMD5 (SLEEP\_AWAKE) to wake the slave unit. For more information about power cycling see Section 10.1.3 of the JEDEC Standard Specification No.JESD84-B50.

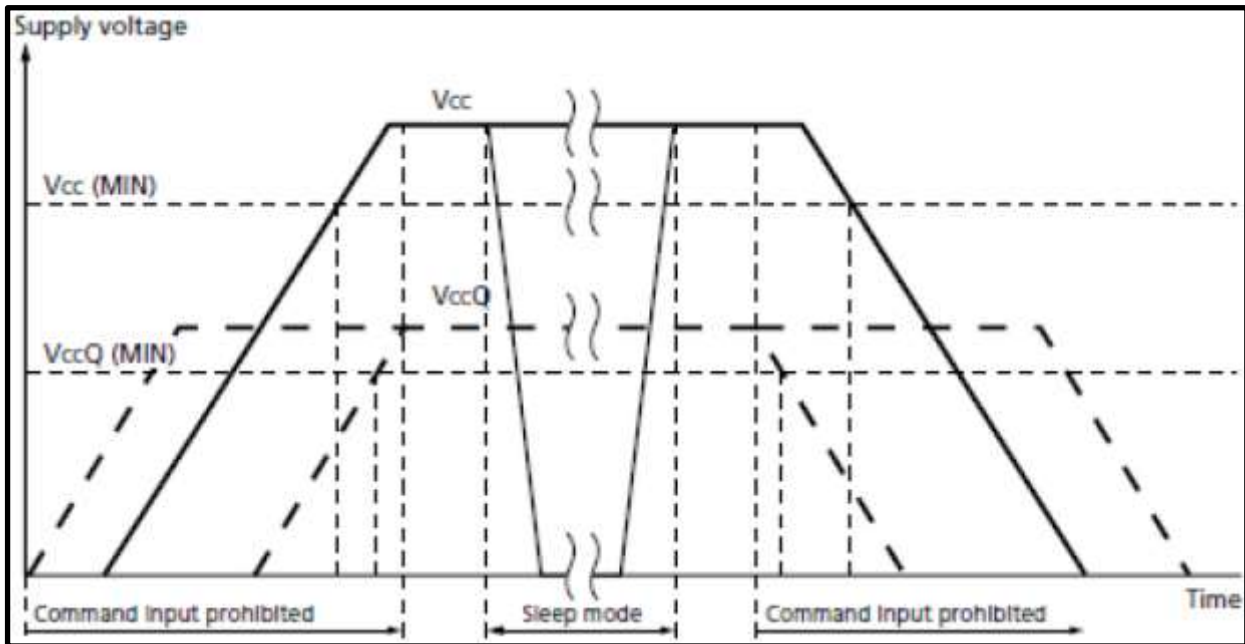


Figure 8 – The eMMC Power Cycle

## 6.2. Bus Operating Conditions

Table 13 – General Operating Conditions

Parameter	Symbol	Min	Max.	Unit	Remark
Peak voltage on all lines		-0.5	VCCQ + 0.5	V	
All Inputs					
Input Leakage Current (before initialization sequence and/or the internal pull up resistors connected)		-100	100	μA	
Input Leakage Current (after initialization sequence and the internal pull up resistors disconnected)		-2	2	μA	
All Outputs					
Output Leakage Current (before initialization sequence)		-100	100	μA	
Output Leakage Current (after initialization sequence)		-2	2	μA	
Note1 : Initialization sequence is defined in section 10.1					

### 6.2.1. Power supply: eMMC

In the eMMC, V<sub>CC</sub> is used for the NAND flash device and its interface voltage; V<sub>CCQ</sub> is for the controller and the MMC interface voltage as shown in Figure 9. The core regulator is optional and only required when internal core logic voltage is regulated from V<sub>CCQ</sub>. A C<sub>Reg</sub> capacitor must be connected to the V<sub>DDi</sub> terminal to stabilize regulator output on the system.

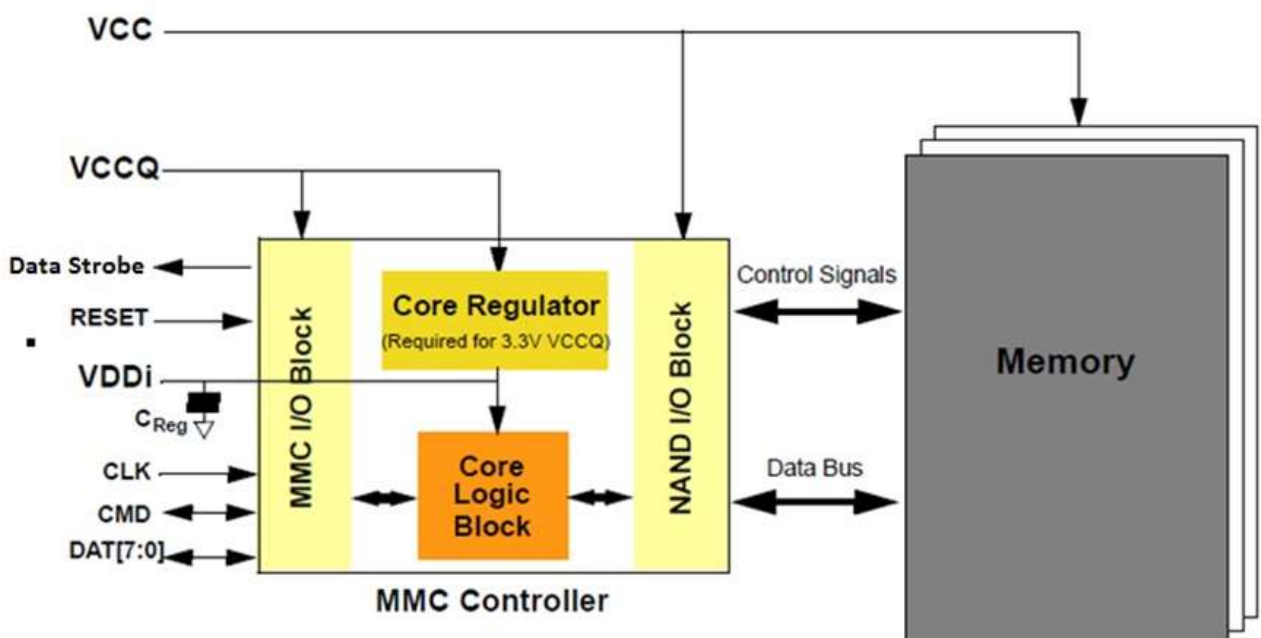


Figure 9 – eMMC Internal Power Diagram

UD info CORP. TEL: +886-2-7713-6050 FAX: +886-2-8511-3151

3F-4, No.8, Ln. 609, Sec. 5, Chongxin Rd., Sanchong Dist., New Taipei City 241, Taiwan (R.O.C.)

**6.2.2. eMMC Power Supply Voltage**

The eMMC supports one or more combinations of  $V_{CC}$  and  $V_{CCQ}$  as shown in Table 9. The  $V_{CCQ}$  must be defined at equal to or less than  $V_{CC}$ .

Table 14 – eMMC Operating Voltage

Parameter	Symbol	MIN	MAX	Unit	Remarks
Supply voltage (NAND)	$V_{CC}$	2.7	3.6	V	
Supply voltage (I/O)	$V_{CCQ}$	2.7	3.6	V	
		1.7	1.95	V	
Supply power-up for 3.3V	$t_{PRUH}$		35	ms	
Supply power-up for 1.8V	$t_{PRUL}$		25	ms	

The eMMC must support at least one of the valid voltage configurations, and can optionally support all valid voltage configurations (see Table ).

Table 15 – eMMC Voltage Combinations

		$V_{CCQ}$	
		1.7V–1.95V	2.7V–3.6V <sup>1</sup>
$V_{CC}$	2.7V-3.6V	Valid	Valid
Note1 : $V_{CCQ}$ (I/O) 3.3 volt range is not supported in HS200 / HS400 devices			

### 6.2.3. Bus Signal Line Load

The total capacitance  $C_L$  of each line of the *eMMC* bus is the sum of the bus master capacitance  $C_{HOST}$ , the bus capacitance  $C_{BUS}$  its self and the capacitance  $C_{DEVICE}$  of *eMMC* connected to this line:

$$C_L = C_{HOST} + C_{BUS} + C_{DEVICE}$$

The sum of the host and bus capacitances must be under 20pF.

Table 16 – Signal Line Load

Parameter	Symbol	Min	Max	Unit	Remark
Pull-up resistance for CMD	R <sub>CMD</sub>	4.7	50	Kohm	to prevent bus floating
Pull-up resistance for DAT0~7	R <sub>DAT</sub>	10	50	Kohm	to prevent bus floating
Pull-up resistance for RST_n	R <sub>RST_n</sub>	4.7	50	Kohm	It is not necessary to put pull-up resistance on RST_n (H/W rest) line if host does not use H/W reset. (Extended CSD register [162] = 0 b )
Bus signal line capacitance	CL		30	pF	Single Device
Single Device capacitance	C <sub>BGA</sub>		12	pF	
Maximum signal line inductance			16	nH	
Impedance on CLK / CMD / DAT0~7		45	55	ohm	Impedance match
Serial's resistance on CLK line	SR <sub>CLK</sub>	0	47	ohm	
Serial's resistance on CMD / DAT0~7 line	SR <sub>CMD</sub> SR <sub>DAT0~7</sub>	0	47	ohm	
V <sub>CCQ</sub> decoupling capacitor		2.2+0.1	4.7+0.22	μF	It should be located as close as possible to the balls defined in order to minimize connection parasitic
	CH1	1	2.2		CH1 is only for HS200. It should be placed adjacent to VCCQ-VSSQ balls (#K6 and #K4 accordingly, next to DAT[7..0] balls). It should be located as close as possible to the balls defined in order to minimize connection parasitic.

**UD info CORP. TEL: +886-2-7713-6050 FAX: +886-2-8511-3151**

3F-4, No.8, Ln. 609, Sec. 5, Chongxin Rd., Sanchong Dist., New Taipei City 241, Taiwan (R.O.C.)

VCC capacitor value		1+0.1	4.7+0.22	μF	It should be located as close as possible to the balls defined in order to minimize connection parasitic
V <sub>DDi</sub> capacitor value	C <sub>REG</sub>	1	4.7+0.1	μF	To stabilize regulator output to controller core logics. It should be located as close as possible to the balls defined in order to minimize connection parasitic

### 6.2.4. HS400 reference load

The circuit in Figure 10 shows the reference load used to define the HS400 Device Output Timings and overshoot / undershoot parameters.

The reference load is made up by the transmission line and the C<sub>REFERENCE</sub> capacitance.

The reference load is not intended to be a precise representation of the typical system environment nor a depiction of the actual load presented by a production tester.

System designers should use IBIS or other simulation tools to correlate the reference load to system environment. Manufacturers should correlate to their production test conditions.

Delay time (td) of the transmission line has been introduced to make the reference load independent from the PCB technology and trace length.

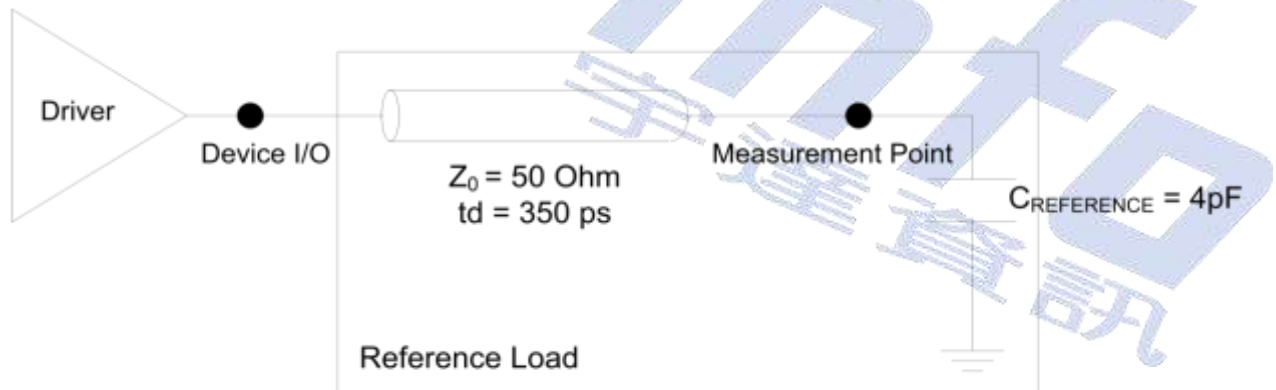


Figure 10 – HS400 reference load

### 6.3. Bus Signal Levels

As the bus can be supplied with a variable supply voltage, all signal levels are related to the supply voltage.

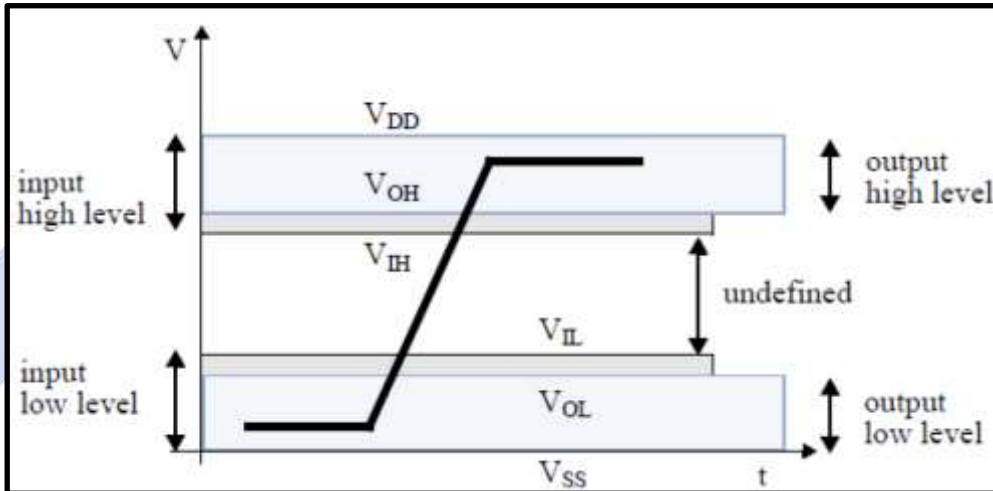


Figure 11 – Bus Signal Levels

#### 6.3.1. Open-drain Mode Bus Signal Level

Table 17 – Open-drain Bus Signal Level

Parameter	Symbol	Min	Max.	Unit	Conditions
Output HIGH voltage	VOH	VDD – 0.2		V	IOH = -100 μA
Output LOW voltage	VOL		0.3	V	IOL = 2 mA

The input levels are identical with the push-pull mode bus signal levels.

#### 6.3.2. Push-pull mode bus signal level — eMMC

The device input and output voltages shall be within the following specified ranges for any V<sub>DD</sub> of the allowed voltage range

For 2.7V-3.6V V<sub>CCQ</sub> range (compatible with JESD8C.01)

Table 18 – Push-pull Signal Level — High-voltage eMMC

Parameter	Symbol	Min	Max.	Unit	Conditions
Output HIGH voltage	VOH	0.75 * VCCQ		V	IOH = -100 μA @ VCCQ min
Output LOW voltage	VOL		0.125 * VCCQ	V	IOL = 100 μA @ VCCQ min
Input HIGH voltage	VIH	0.625 * VCCQ	VCCQ + 0.3	V	
Input LOW voltage	VIL	VSS – 0.3	0.25 * VCCQ	V	

UD info CORP. TEL: +886-2-7713-6050 FAX: +886-2-8511-3151

3F-4, No.8, Ln. 609, Sec. 5, Chongxin Rd., Sanchong Dist., New Taipei City 241, Taiwan (R.O.C.)



For 1.70V – 1.95V  $V_{CCQ}$  range (: Compatible with EIA/JEDEC Standard “EIA/JESD8-7 Normal Range” as defined in the following table.

Table 19 – Push-pull Signal Level — 1.70 -1.95  $V_{CCQ}$  Voltage Range

Parameter	Symbol	Min	Max.	Unit	Conditions
Output HIGH voltage	VOH	$V_{CCQ} - 0.45V$		V	IOH = -2mA
Output LOW voltage	VOL		0.45V	V	IOL = 2mA
Input HIGH voltage	VIH	$0.65 * V_{CCQ}^1$	$V_{CCQ} + 0.3$	V	
Input LOW voltage	VIL	$V_{SS} - 0.3$	$0.35 * V_{DD}^2$	V	

Note1 :  $0.7 * V_{DD}$  for MMC™4.3 and older revisions.  
 Note2 :  $0.3 * V_{DD}$  for MMC™4.3 and older revisions.

### 6.3.3. Bus Operating Conditions for HS200 & HS400

The bus operating conditions for HS200 devices is the same as specified in sections 10.5.1 of JESD84-B50 through 10.5.2 of JESD84-B50. The only exception is that  $V_{CCQ}=3.3v$  is not supported.

### 6.3.4. Device Output Driver Requirements for HS200 & HS400

Refer to section 10.5.4 of the JEDEC Standard Specification No.JESD84-B50.

### 6.4. Bus Timing

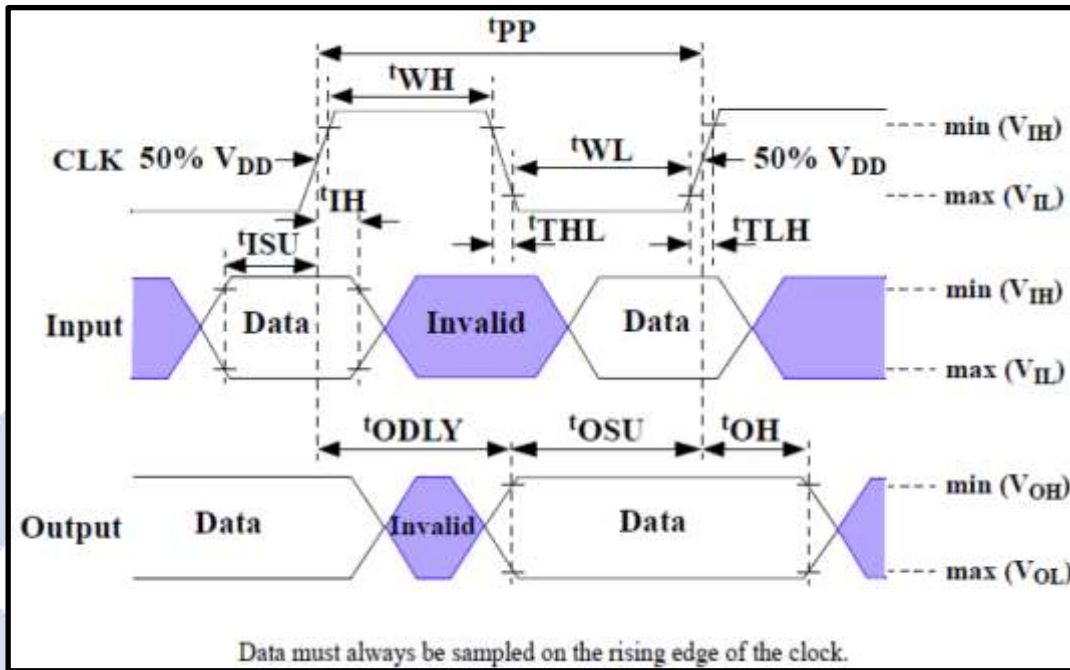


Figure 12 – Timing Diagram

#### 6.4.1. Device Interface Timings

Table 20 – High-speed Device Interface Timing

Parameter	Symbol	Min	Max.	Unit	Remark
Clock CLK <sup>1</sup>					
Clock frequency Data Transfer Mode (PP) <sup>2</sup>	fPP	0	52 <sup>3</sup>	MHz	CL ≤ 30 pF Tolerance: +100KHz
Clock frequency Identification Mode (OD)	fOD	0	400	kHz	Tolerance: +20KHz
Clock high time	tWH	6.5		ns	CL ≤ 30 pF
Clock low time	tWL	6.5		ns	CL ≤ 30 pF
Clock rise time <sup>4</sup>	tTLH		3	ns	CL ≤ 30 pF
Clock fall time	tTHL		3	ns	CL ≤ 30 pF
Inputs CMD, DAT (referenced to CLK)					
Input set-up time	tISU	3		ns	CL ≤ 30 pF
Input hold time	tIH	3		ns	CL ≤ 30 pF
Outputs CMD, DAT (referenced to CLK)					
Output delay time during data transfer	tODLY		13.7	ns	CL ≤ 30 pF
Output hold time	tOH	2.5		ns	CL ≤ 30 pF

UD info CORP. TEL: +886-2-7713-6050 FAX: +886-2-8511-3151

3F-4, No.8, Ln. 609, Sec. 5, Chongxin Rd., Sanchong Dist., New Taipei City 241, Taiwan (R.O.C.)

Signal rise time <sup>5</sup>	tRISE		3	ns	CL ≤ 30 pF
<p>Note1 : CLK timing is measured at 50% of VDD.</p> <p>Note2 : eMMC shall support the full frequency range from 0-26Mhz or 0-52MHz</p> <p>Note3 : Device can operate as high-speed Device interface timing at 26 MHz clock frequency.</p> <p>Note4 : CLK rise and fall times are measured by min (VIH) and max (VIL).</p> <p>Note5 : Inputs CMD DAT rise and fall times are measured by min (VIH) and max (VIL) and outputs CMD DAT rise and fall times are measured by min (VOH) and max (VOL). “</p>					

Table 21 – Backward-compatible Device Interface Timing

Parameter	Symbol	Min	Max.	Unit	Remark <sup>1</sup>
Clock CLK <sup>2</sup>					
Clock frequency Data Transfer Mode (PP) <sup>3</sup>	fPP	0	26	MHz	CL ≤ 30 pF
Clock frequency Identification Mode (OD)	fOD	0	400	kHz	
Clock high time	tWH	10			CL ≤ 30 pF
Clock low time	tWL	10		ns	CL ≤ 30 pF
Clock rise time <sup>4</sup>	tTLH		10	ns	CL ≤ 30 pF
Clock fall time	tTHL		10	ns	CL ≤ 30 pF
Inputs CMD, DAT (referenced to CLK)					
Input set-up time	tISU	3		ns	CL ≤ 30 pF
Input hold time	tIH	3		ns	CL ≤ 30 pF
Outputs CMD, DAT (referenced to CLK)					
Output hold time <sup>5</sup>	tOH	8.3		ns	CL ≤ 30 pF
<p>Note1 : The Device must always start with the backward-compatible interface timing. The timing mode can be switched to high-speed interface timing by the host sending the SWITCH command (CMD6) with the argument for high-speed interface select.</p> <p>Note2 : CLK timing is measured at 50% of VDD.</p> <p>Note3 : For compatibility with Devices that support the v4.2 standard or earlier, host should not use &gt; 26 MHz before switching to high-speed interface timing.</p> <p>Note4 : CLK rise and fall times are measured by min (VIH) and max (VIL).</p> <p>Note5 : tOSU and tOH are defined as values from clock rising edge. However, there may be Devices or devices which utilize clock falling edge to output data in backward compatibility mode. Therefore, it is recommended for hosts either to set tWL value as long as possible within the range which will not go over tCK-tOH(min) in the system or to use slow clock frequency, so that host could have data set up margin for those devices. In this case, each device which utilizes clock falling edge might show the correlation either between tWL and tOSU or between tCK and tOSU for the device in its own datasheet as a note or its application notes.</p>					

**UD info CORP. TEL: +886-2-7713-6050 FAX: +886-2-8511-3151**

3F-4, No.8, Ln. 609, Sec. 5, Chongxin Rd., Sanchong Dist., New Taipei City 241, Taiwan (R.O.C.)

### 6.5. Bus Timing for DAT Signals During Dual Data Rate Operation

These timings apply to the DAT[7:0] signals only when the device is configured for dual data mode operation. In this dual data mode, the DAT signals operate synchronously of both the rising and the falling edges of CLK. The CMD signal still operates synchronously of the rising edge of CLK and therefore complies with the bus timing specified in section 10.5, therefore there is no timing change for the CMD signal.

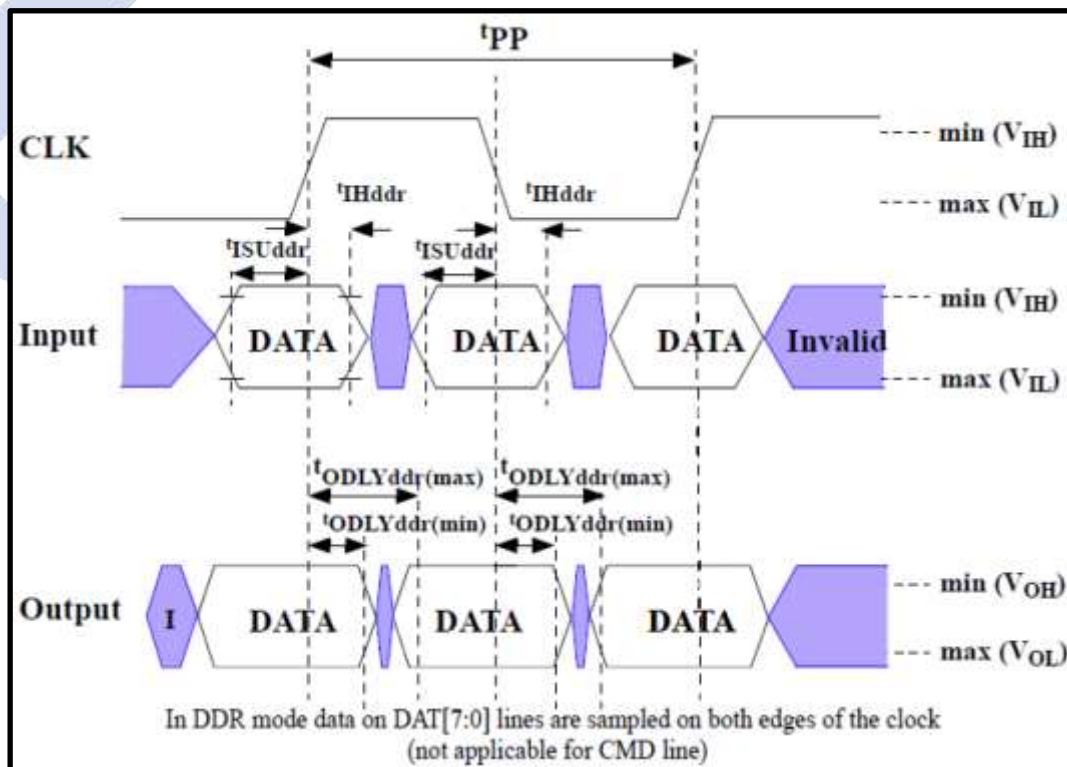


Figure13 – Timing Diagram: Data Input/Output in Dual Data Rate Mode

### 6.5.1. Dual Data Rate Interface Timings

Table 22 – High-speed Dual Data Rate Interface Timing

Parameter	Symbol	Min	Max.	Unit	Remark
Input CLK <sup>1</sup>					
Clock duty cycle		45	55	%	Includes jitter, phase noise
Input DAT (referenced to CLK-DDR mode)					
Input set-up time	tISUddr	2.5		ns	CL ≤ 20 pF
Input hold time	tIHddr	2.5		ns	CL ≤ 20 pF
Output DAT (referenced to CLK-DDR mode)					
Output delay time during data transfer	tODLYddr	1.5	7	ns	CL ≤ 20 pF
Signal rise time (all signals) <sup>2</sup>	tRISE		2	ns	CL ≤ 20 pF
Signal fall time (all signals)	tFALL		2	ns	CL ≤ 20 pF

Note1 : CLK timing is measured at 50% of VDD.

Note2 : Inputs CMD, DAT rise and fall times are measured by min (V<sub>IH</sub>) and max (V<sub>IL</sub>), and outputs CMD, DAT rise and fall times are measured by min (V<sub>OH</sub>) and max (V<sub>OL</sub>)

## 6.6. Bus Timing Specification in HS200 Mode

### 6.6.1. HS200 Clock Timing

Host CLK Timing in HS200 mode shall conform to the timing specified in Figure and Table 18. CLK input shall satisfy the clock timing over all possible operation and environment conditions. CLK input parameters should be measured while CMD and DAT lines are stable high or low, as close as possible to the Device.

The maximum frequency of HS200 is 200MHz. Hosts can use any frequency up to the maximum that HS200 mode allows.

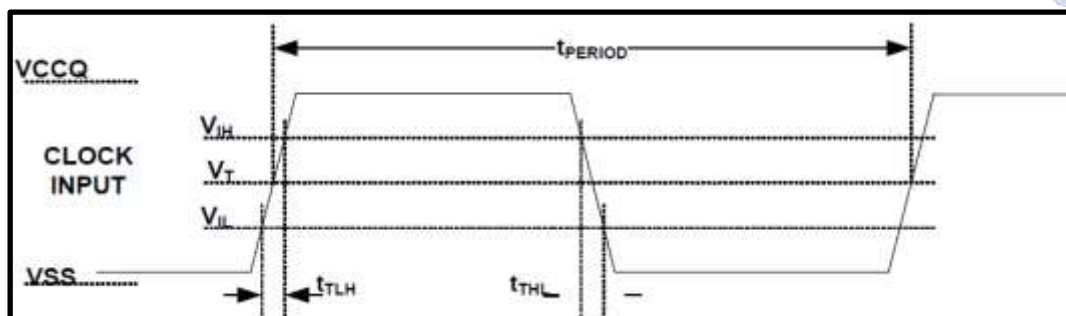


Figure 14 – HS200 Clock Signal Timing

UD info CORP. TEL: +886-2-7713-6050 FAX: +886-2-8511-3151

3F-4, No.8, Ln. 609, Sec. 5, Chongxin Rd., Sanchong Dist., New Taipei City 241, Taiwan (R.O.C.)

Note1 :  $V_{IH}$  denote  $V_{IH(min.)}$  and  $V_{IL}$  denotes  $V_{IL(max.)}$ .

Note2 :  $V_T=0.975V$  – Clock Threshold, indicates clock reference point for timing measurements.

Table 23 – HS200 Clock Signal Timing

Symbol	Min.	Max.	Unit	Remark
$t_{PERIOD}$	5	-	ns	200MHz (Max.), between rising edges
$t_{TLH}, t_{THL}$	-	$0.2 * t_{PERIOD}$	ns	$t_{TLH}, t_{THL} < 1ns$ (max.) at 200MHz, $C_{BGA}=12pF$ , The absolute maximum value of $t_{TLH}, t_{THL}$ is 10ns regardless of clock frequency.
Duty Cycle	30	70	%	

### 6.6.2. HS200 Device Input Timing

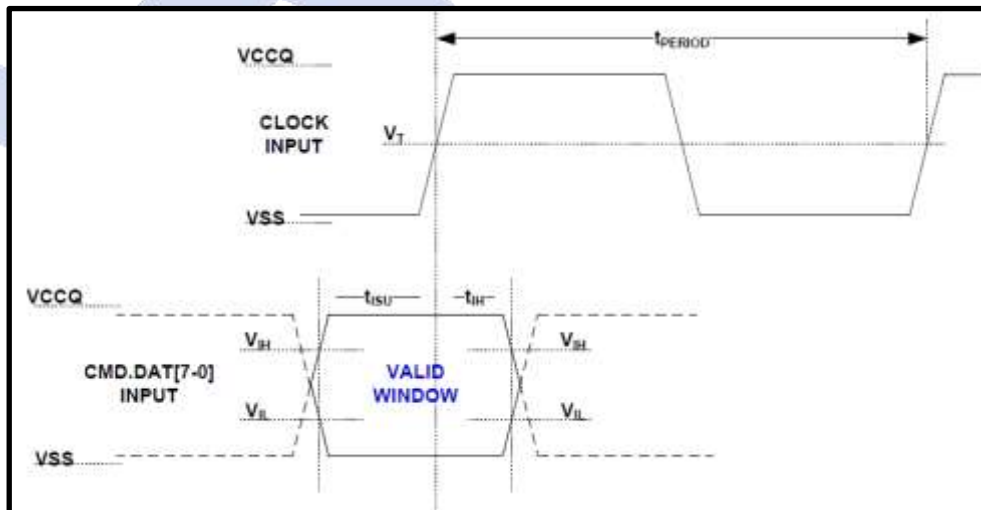


Figure 15 – HS200 Device Input Timing

Note1:  $t_{ISU}$  and  $t_{IH}$  are measured at  $V_{IL(max.)}$  and  $V_{IH(min.)}$ .

Note2:  $V_{IH}$  denote  $V_{IH(min.)}$  and  $V_{IL}$  denotes  $V_{IL(max.)}$ .

Table 24 – HS200 Device Input Timing

Symbol	Min.	Max.	Unit	Remark
$t_{ISU}$	1.4	-	ns	$C_{BGA} \leq 6pF$
$t_{IH}$	0.8		ns	$C_{BGA} \leq 6pF$

UD info CORP. TEL: +886-2-7713-6050 FAX: +886-2-8511-3151

3F-4, No.8, Ln. 609, Sec. 5, Chongxin Rd., Sanchong Dist., New Taipei City 241, Taiwan (R.O.C.)

### 6.6.3. HS200 Device Output Timing

$t_{PH}$  parameter is defined to allow device output delay to be longer than  $t_{PERIOD}$ . After initialization, the  $t_{PH}$  may have random phase relation to the clock. The Host is responsible to find the optimal sampling point for the Device outputs, while switching to the HS200 mode.

Figure 16 and Table 20 define Device output timing.

While setting the sampling point of data, a long term drift, which mainly depends on temperature drift, should be considered. The temperature drift is expressed by  $\Delta T_{PH}$ . Output valid data window ( $t_{VW}$ ) is available regardless of the drift ( $\Delta T_{PH}$ ) but position of data window varies by the drift, as described in Figure 17.

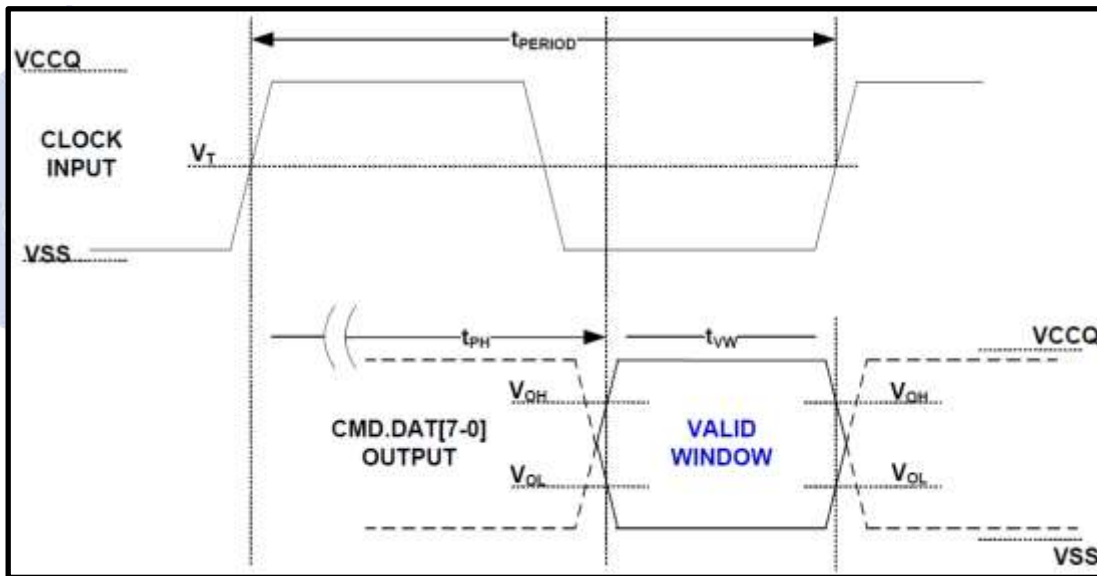


Figure 16 – HS200 Device Output Timing

Note:  $V_{OH}$  denotes  $V_{OH}(min.)$  and  $V_{OL}$  denotes  $V_{OL}(max.)$ .

Table 25 – Output Timing

Symbol	Min.	Max.	Unit	Remark
$t_{PH}$	0	2	UI	Device output momentary phase from CLK input to CMD or DAT lines output. Does not include a long term temperature drift.
$\Delta T_{PH}$	-350 ( $\Delta T = -20^\circ C$ )	+1550 ( $\Delta T = 90^\circ C$ )	ps	Delay variation due to temperature change after tuning. Total allowable shift of output valid window ( $T_{VW}$ ) from last system Tuning procedure $\Delta T_{PH}$ is 2600ps for $\Delta T$ from $-25^\circ C$ to $125^\circ C$ during operation.
$T_{VW}$	0.575	-	UI	$t_{VW} = 2.88ns$ at 200MHz Using test circuit in Figure 15 including skew among CMD and DAT lines created by the Device. Host path may add Signal Integrity induced noise, skews, etc. Expected $T_{VW}$ at Host input is larger than 0.475UI.

Note : Unit Interval (UI) is one bit nominal time. For example, UI=5ns at 200MHz.

**UD info CORP. TEL: +886-2-7713-6050 FAX: +886-2-8511-3151**

3F-4, No.8, Ln. 609, Sec. 5, Chongxin Rd., Sanchong Dist., New Taipei City 241, Taiwan (R.O.C.)

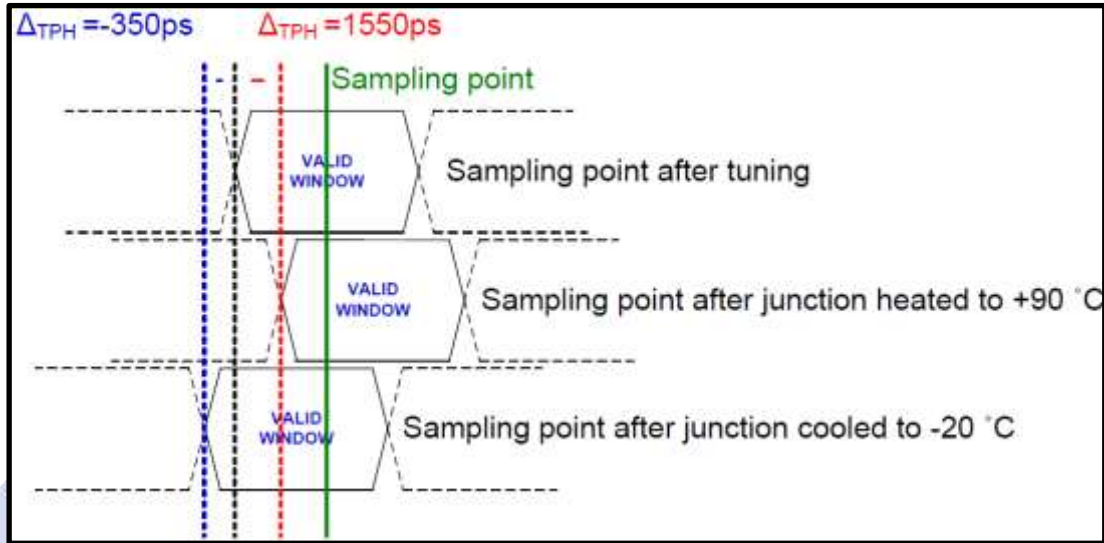


Figure 17 –  $\Delta_{TPH}$  consideration

Implementation Guide: Host should design to avoid sampling errors that may be caused by the  $\Delta_{TPH}$  drift. It is recommended to perform tuning procedure while Device wakes up, after sleep. One simple way to overcome the  $\Delta_{TPH}$  drift is by reduction of operating frequency.

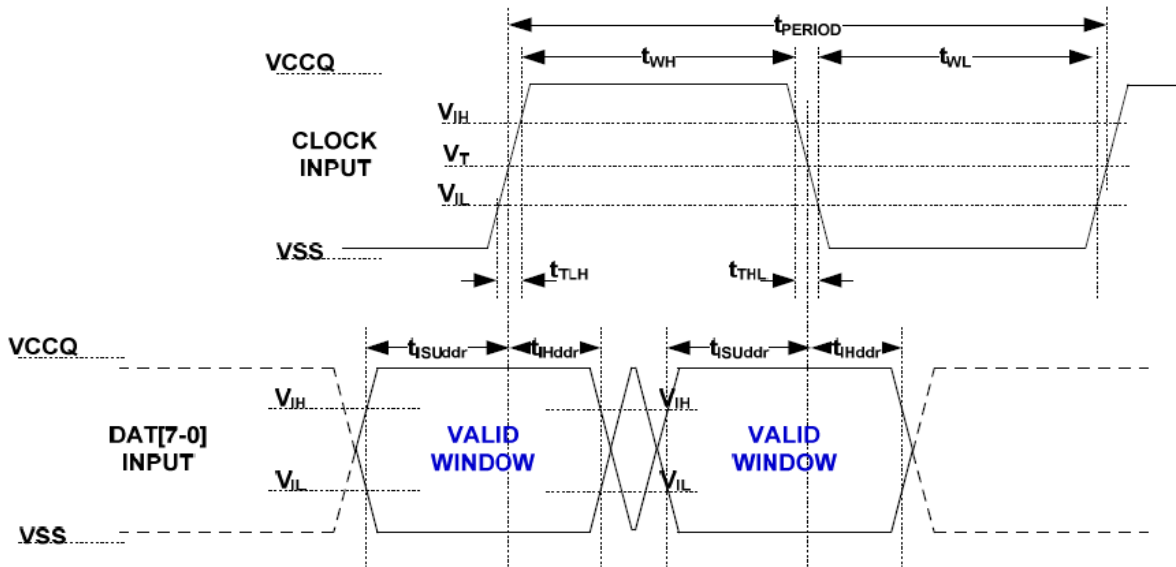


## 6.7. Bus Timing Specification in HS400 mode

### 6.7.1. HS400 Device Input Timing

The CMD input timing for HS400 mode is the same as CMD input timing for HS200 mode.

Figure 18 and Table 21 show Device input timing.



Note1:  $t_{SU}$  and  $t_{H}$  are measured at  $V_{IL(max)}$  and  $V_{IH(min)}$ .  
 Note2:  $V_{IH}$  denote  $V_{IH(min)}$  and  $V_{IL}$  denotes  $V_{IL(max)}$ .

Figure 18 - HS400 Device Data input timing

Table 26 - HS400 Device input timing

Parameter	Symbol	Min	Max	Unit	Remark
Input CLK					
Cycle time data transfer mode	$t_{PERIOD}$	5			200MHz(Max), between rising edges With respect to $V_T$ .
Slew rate	SR	1.125		V/ns	With respect to $V_{IH}/V_{IL}$ .
Duty cycle distortion	$t_{CKDCD}$	0.0	0.3	ns	Allowable deviation from an ideal 50%duty cycle.
Minimum pulse	$t_{CKMPW}$	2.2		ns	With respect to $V_T$ .
Input DAT (referenced to CLK)					
Input set-up time	$t_{ISUddr}$	0.4		ns	$C_{Device} \leq 6pF$ With respect to $V_{IH}/V_{IL}$ .
Input hold time	$t_{IHddr}$	0.4		ns	$C_{Device} \leq 6pF$ With respect to $V_{IH}/V_{IL}$ .

UD info CORP. TEL: +886-2-7713-6050 FAX: +886-2-8511-3151

3F-4, No.8, Ln. 609, Sec. 5, Chongxin Rd., Sanchong Dist., New Taipei City 241, Taiwan (R.O.C.)

Slew rate	SR	1.125		V/ns	With respect to VIH/VIL.
-----------	----	-------	--	------	--------------------------

### 6.7.2. HS400 Device Output Timing

The Data Strobe is used to read data in HS400 mode. The Data Strobe is toggled only during data read or CRC status response.

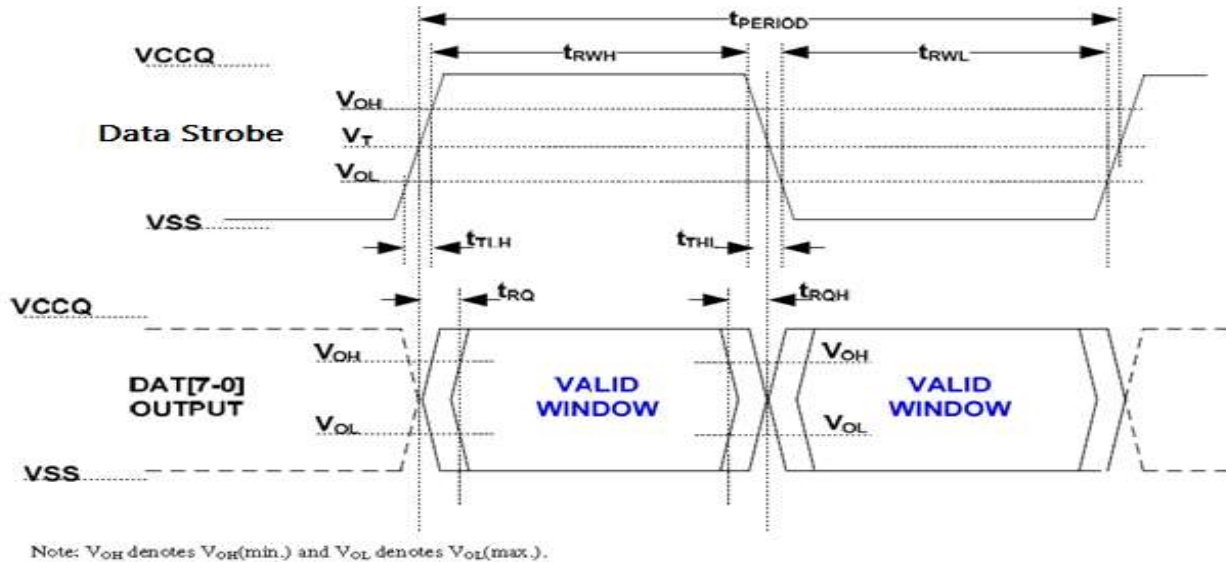


Figure 19 - HS400 Device output timing

Table 27 – HS400 Device Output timing

Parameter	Symbol	Min	Max	Unit	Remark
Data Strobe					
Cycle time data transfer mode	t <sub>PERIOD</sub>	5			200MHz(Max), between rising edges With respect to V <sub>T</sub>
Slew rate	SR	1.125		V/ns	With respect to V <sub>OH</sub> /V <sub>OL</sub> and HS400 reference load
Duty cycle distortion	t <sub>DSDCD</sub>	0.0	0.2	ns	Allowable deviation from the input CLK duty cycle distortion (t <sub>CKDCD</sub> ) With respect to V <sub>T</sub> Includes jitter, phase noise

UD info CORP. TEL: +886-2-7713-6050 FAX: +886-2-8511-3151

3F-4, No.8, Ln. 609, Sec. 5, Chongxin Rd., Sanchong Dist., New Taipei City 241, Taiwan (R.O.C.)

Minimum pulse width	tDSMPW	2.0		ns	With respect to VT
Read pre- amble	tRPRE	0.4	-	tPERIOD	Max value is specified by manufacturer. Value up to infinite is valid
Read post- amble	tRPST	0.4	-	tPERIOD	Max value is specified by manufacturer.  Value up to infinite is valid
Output DAT (referenced to Data Strobe)					
Slew rate	SR	1.125		V/ns	With respect to VOH/VOL and HS400 reference load

NOTE 1 : Measured with HS400 reference load (6.2.4)

Table 28 – HS400 Capacitance

Parameter	Symbol	Min	Type	Max	Unit	Remark
Pull-up resistance for CMD	RCMD	4.7		50	Kohm	
Pull-up resistance for DAT0-7	RDAT	10		50	Kohm	
Pull-down resistance for Data Strobe	RDS	10		50	Kohm	
Internal pull up resistance DAT1-DAT7	Rint	10		150	Kohm	
Single Device capacitance	CDevice			6	pF	

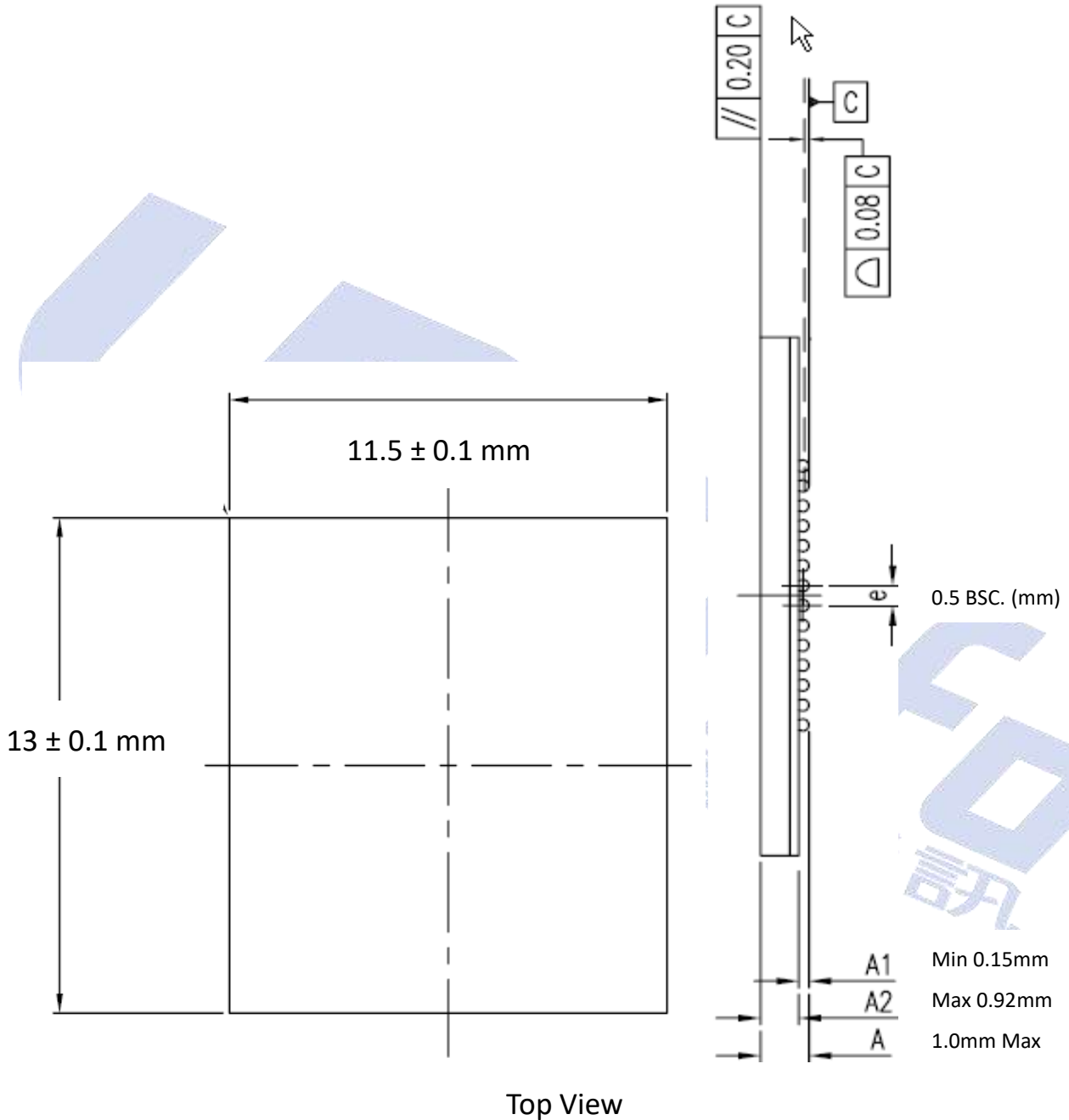
**UD info CORP. TEL: +886-2-7713-6050 FAX: +886-2-8511-3151**

3F-4, No.8, Ln. 609, Sec. 5, Chongxin Rd., Sanchong Dist., New Taipei City 241, Taiwan (R.O.C.)

## 7. Package Connections

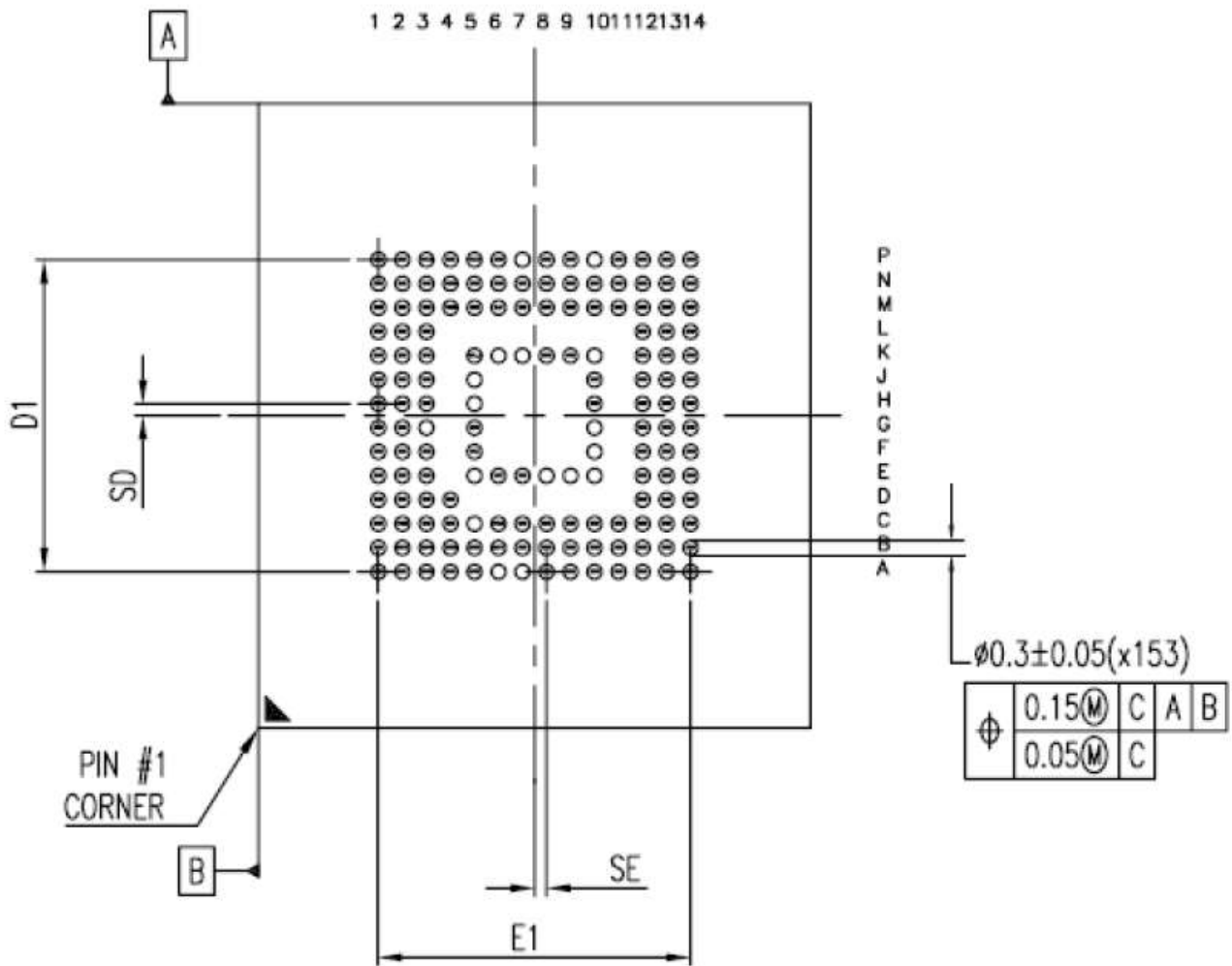


### 7.1. 153 balls Package Mechanical (11.5 x 13.0 x 1.0mm)



UD info CORP. TEL: +886-2-7713-6050 FAX: +886-2-8511-3151

3F-4, No.8, Ln. 609, Sec. 5, Chongxin Rd., Sanchong Dist., New Taipei City 241, Taiwan (R.O.C.)

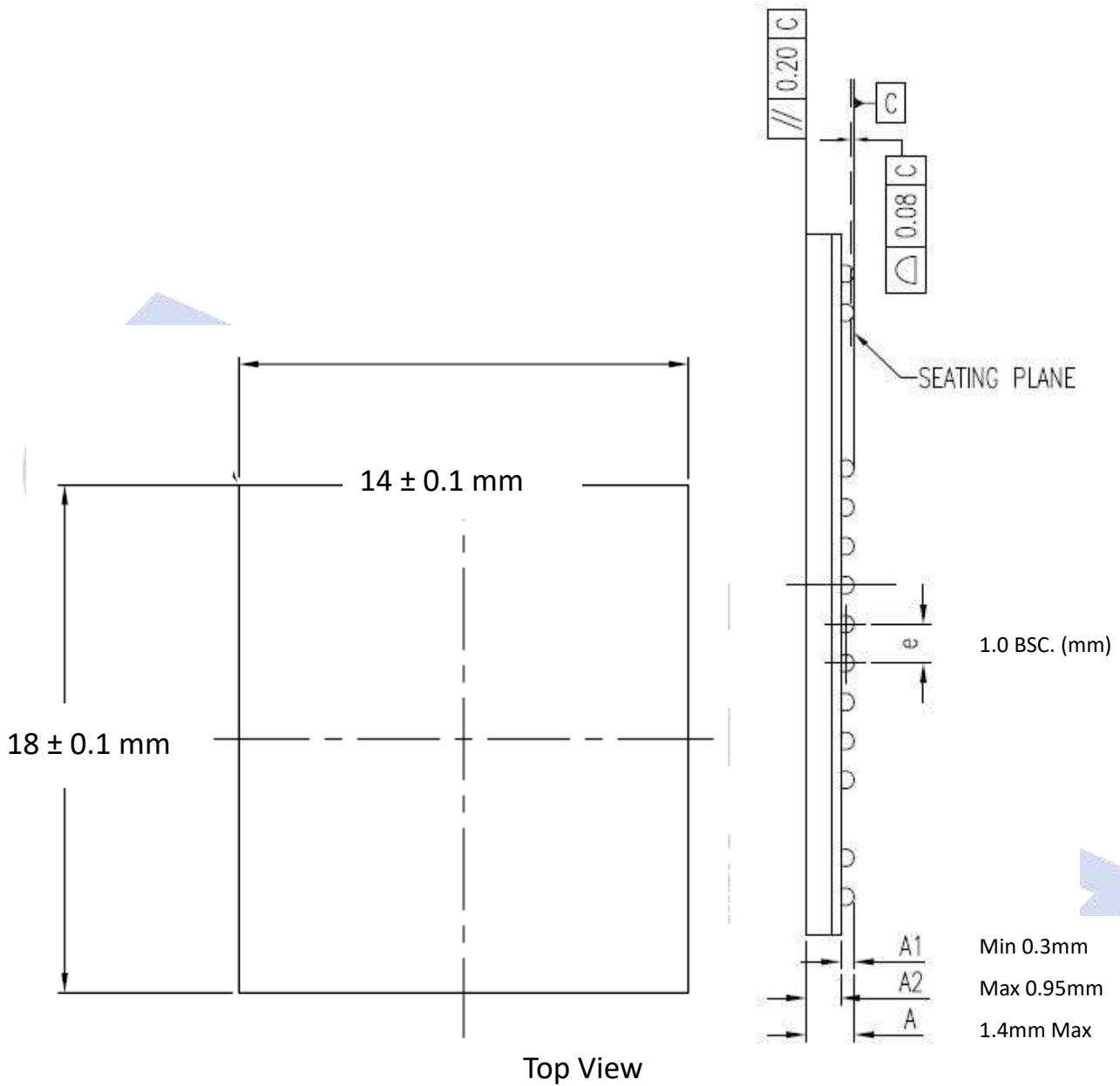


N	SE (MM)	SD (MM)	E1(MM)	D1(MM)	JEDEC(REF)
153	0.25 BSC.	0.25 BSC.	6.50 BSC.	6.50 BSC.	MO-276 BA

**UD info CORP. TEL: +886-2-7713-6050 FAX: +886-2-8511-3151**

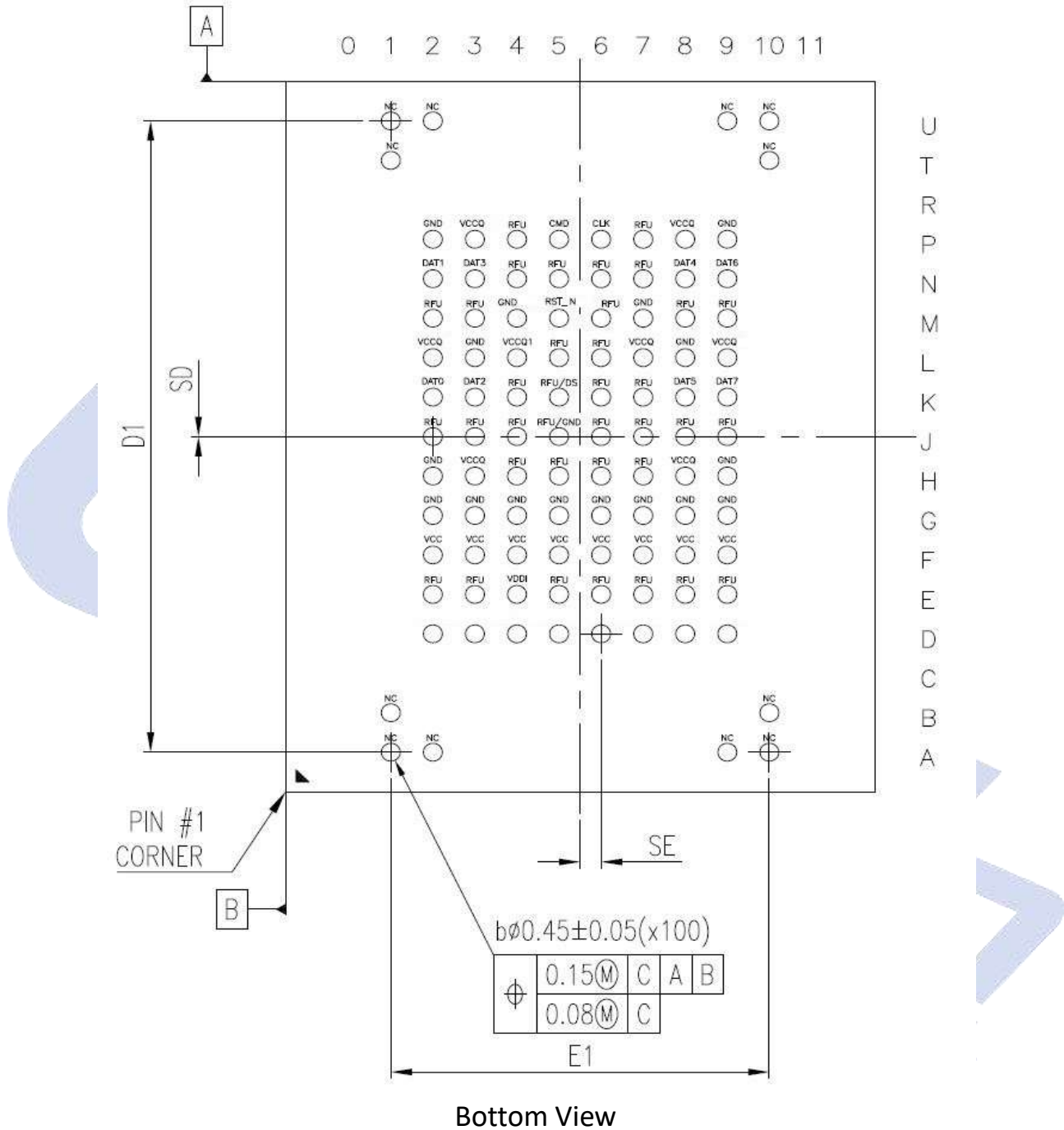
3F-4, No.8, Ln. 609, Sec. 5, Chongxin Rd., Sanchong Dist., New Taipei City 241, Taiwan (R.O.C.)

**7.2. 100 balls Package Mechanical (14.0 x 18.0 x 1.4mm)**



**UD info CORP. TEL: +886-2-7713-6050 FAX: +886-2-8511-3151**

*3F-4, No.8, Ln. 609, Sec. 5, Chongxin Rd., Sanchong Dist., New Taipei City 241, Taiwan (R.O.C.)*



N	SE (mm)	SD (mm)	E1 (mm)	D1 (mm)
100	0.50 BSC.	0.00 BSC.	9.00 BSC.	16.00 BSC.

**UD info CORP. TEL: +886-2-7713-6050 FAX: +886-2-8511-3151**

3F-4, No.8, Ln. 609, Sec. 5, Chongxin Rd., Sanchong Dist., New Taipei City 241, Taiwan (R.O.C.)

## 8. Ball Assignment

### 8.1. 153 balls

	A	B	C	D	E	F	G	H	J	K	L	M	N	P	
14	NC	NC	NC	NC	NC	NC	NC	NC	NC	NC	NC	NC	NC	NC	14
13	NC	NC	NC	NC	NC	NC	NC	NC	NC	NC	NC	NC	NC	NC	13
12	NC	NC	NC	NC	NC	NC	NC	NC	NC	NC	NC	NC	NC	NC	12
11	NC	NC	NC									NC	NC	NC	11
10	NC	NC	NC		NC	NC	NC	VSS	VCC	NC		NC	NC	NC	10
9	NC	NC	NC		NC					VCC		NC	NC	NC	9
8	NC	NC	NC		NC					VSS		NC	NC	NC	8
7	NC	NC	NC		VSS					NC		NC	NC	NC	7
6	VSS	DAT7	VCCQ		VCC					NC		CLK	NC	VSSQ	6
5	DAT2	DAT6	NC		NC	Vcc	Vss	DS	Vss	RST_n		CMD	VSSQ	VCCQ	5
4	DAT1	DAT5	VSSQ	NC								VCCQ	VCCQ	VSSQ	4
3	DAT0	DAT4	NC	NC	NC	NC	NC	NC	NC	NC	NC	NC	NC	VCCQ	3
2	NC	DAT3	VDDI	NC	NC	NC	NC	NC	NC	NC	NC	NC	VssQ	NC	2
1	NC	NC	NC	NC	NC	NC	NC	NC	NC	NC	NC	NC	NC	NC	1
	A	B	C	D	E	F	G	H	J	K	L	M	N	P	

Figure 20 – 153 balls assignment (Top View)



8.2. 100 balls

	1	2	3	4	5	6	7	8	9	10	
A	NC	NC							NC	NC	A
B	NC									NC	B
C											C
D		RFU	RFU	RFU	RFU	RFU	RFU	RFU	RFU		D
E		RFU	RFU	VDDI	RFU	RFU	RFU	RFU	RFU		E
F		VCC	VCC	VCC	VCC	VCC	VCC	VCC	VCC		F
G		GND	GND	GND	GND	GND	GND	GND	GND		G
H		GND	VCCQ	RFU	RFU	RFU	RFU	VCCQ	GND		H
J		RFU	RFU	RFU	RFU/GND	RFU	RFU	RFU	RFU		J
K		DAT0	DAT2	RFU	RFU/DS	RFU	RFU	DAT5	DAT7		K
L		VCCQ	GND	VCCQ	RFU	RFU	VCCQ	GND	VCCQ		L
M		RFU	RFU	GND	RST_n	RFU	GND	RFU	RFU		M
N		DAT1	DAT3	RFU	RFU	RFU	RFU	DAT4	DAT6		N
P		GND	VCCQ	RFU	CMD	CLK	RFU	VCCQ	GND		P
R											R
T	NC									NC	T
U	NC	NC							NC	NC	U

Figure 21 – 100 balls assignment (Top View)

UD info CORP. TEL: +886-2-7713-6050 FAX: +886-2-8511-3151

3F-4, No.8, Ln. 609, Sec. 5, Chongxin Rd., Sanchong Dist., New Taipei City 241, Taiwan (R.O.C.)

## 9. Temperature

Parameter	Grade	Rating	Unit
Operating temperature	Automotive Grade2	-40 ~ +105	°C
	Automotive Grade3	-40 ~ +85	°C
	Industrial	-40 ~ +85	°C
	Standard	-25 ~ +85	°C
Storage temperature	All	-40 ~ +85	°C

## 10. Part Number Decoder

EMC- X<sup>4</sup>X<sup>5</sup>UDX<sup>8</sup>X<sup>9</sup>X<sup>10</sup>X<sup>11</sup>X<sup>12</sup>X<sup>13</sup>X<sup>14</sup>X<sup>15</sup>X<sup>16</sup>X<sup>17</sup>

X <sup>1</sup> X <sup>2</sup> X <sup>3</sup>	X <sup>4</sup> X <sup>5</sup>	X <sup>6</sup> X <sup>7</sup>	X <sup>8</sup> X <sup>9</sup> X <sup>10</sup> X <sup>11</sup> X <sup>12</sup>	X <sup>13</sup>	X <sup>14</sup>	X <sup>15</sup>	X <sup>16</sup> X <sup>17</sup>
EMC	F3: 153balls A1: 100balls	UD	002GB 004GB 008GB 016GB 032GB 064GB	L: MLC Standard (-25°C ~ +85°C) M: MLC Industrial (-40°C ~ +85°C) N: MLC Automotive (-40°C ~ +85°C) P: MLC Automotive (-40°C ~ +105°C) Q: pSLC Standard (-25°C ~ +85°C) F: pSLC Industrial (-40°C ~ +85°C) E: pSLC Automotive (-40°C ~ +85°C)	A: Toshiba 15nm 1die B: Toshiba 15nm 2die C: Toshiba 15nm 4die H: Samsung 14nm MLC N: WD 15nm 64Gb die	P	blank

UD info CORP. TEL: +886-2-7713-6050 FAX: +886-2-8511-3151

3F-4, No.8, Ln. 609, Sec. 5, Chongxin Rd., Sanchong Dist., New Taipei City 241, Taiwan (R.O.C.)